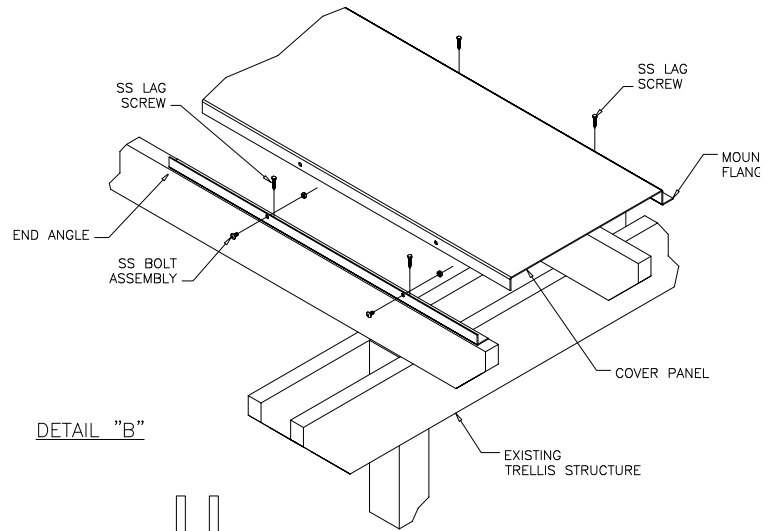


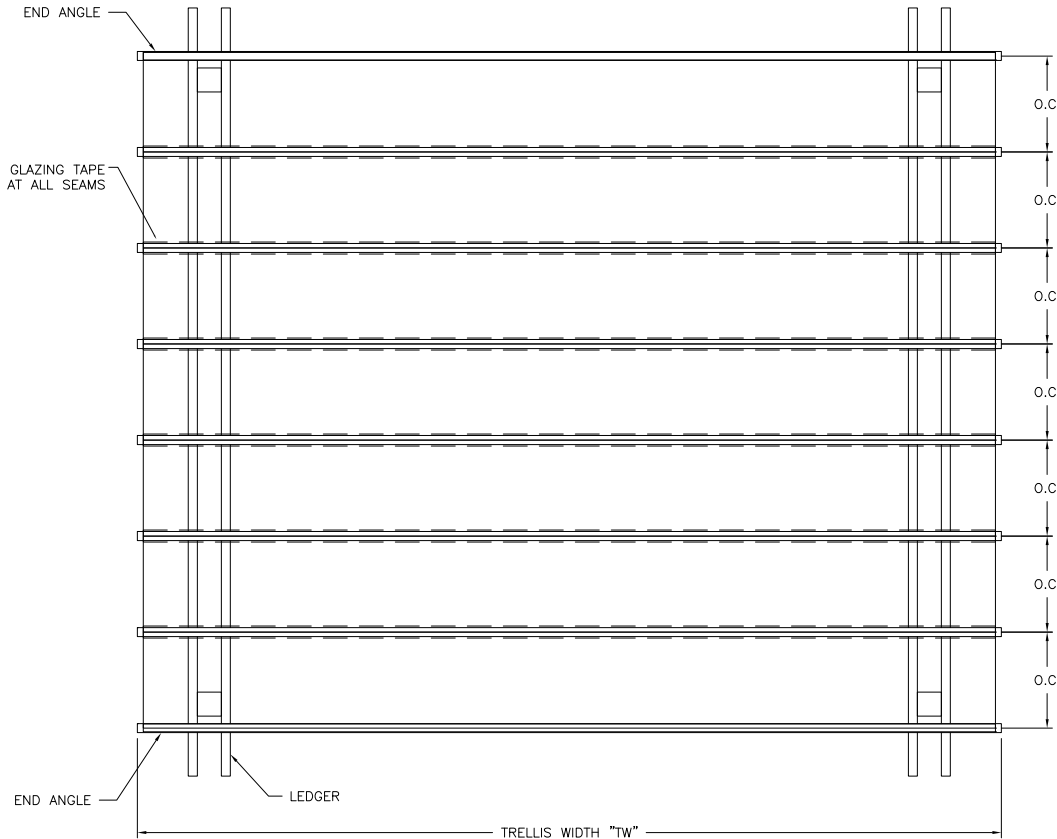


5500 SE ALEXANDER ST.  
HILLSBORO, OR 97123  
PHONE 503.356.0959  
FAX 503.356.8478

skyvuepatiocover.com



DETAIL "B"



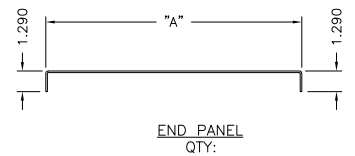
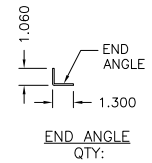
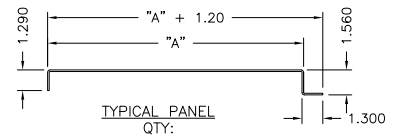
PLAN VIEW

NOTE:

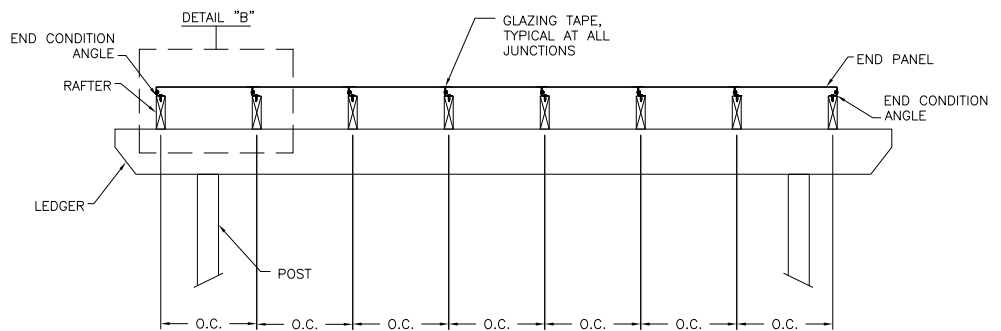
DIMENSION "A" DETERMINED BY  
RAFTER ON CENTER SPACING  
(O.C.)

POLYCARBONATE TINT:

- CLEAR
- 50% TINT



NOTE:  
SUPPLIED ON CENTER SPACING (O.C.)  
IS CRITICAL FOR PROPER FIT AND  
INSTALLATION



ELEVATION VIEW

PERGOLA COVER SYSTEM - PARALLEL DETAIL

**THE INFORMATION CONTAINED IN THIS DRAWING IS THE SOLE PROPERTY OF HANSEN ARCHITECTURAL SYSTEMS, INC. ANY REPRODUCTION IN PART OR AS A WHOLE WITHOUT THE WRITTEN PERMISSION OF HANSEN ARCHITECTURAL SYSTEMS, INC. IS PROHIBITED.**