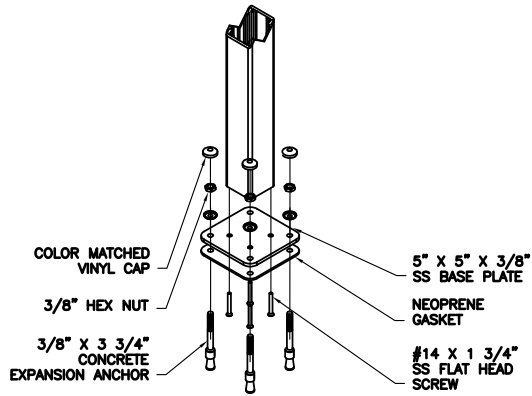
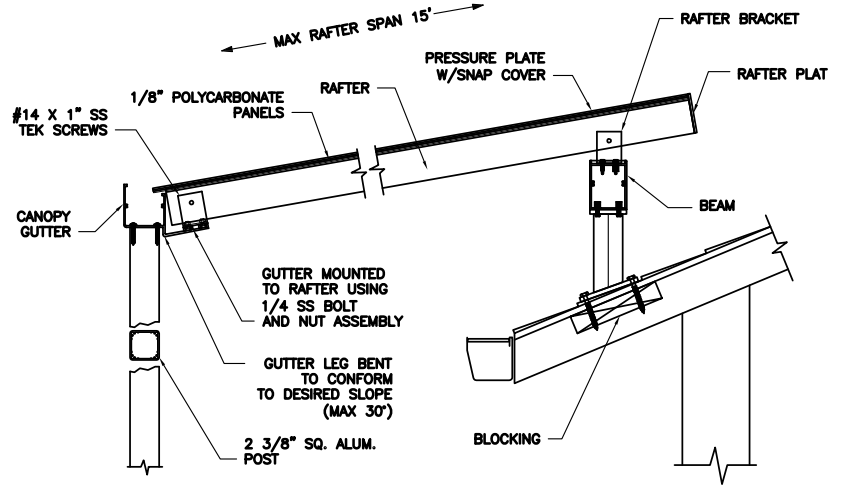


FULL EXTENSION CANOPY ROOF MOUNT SYSTEM

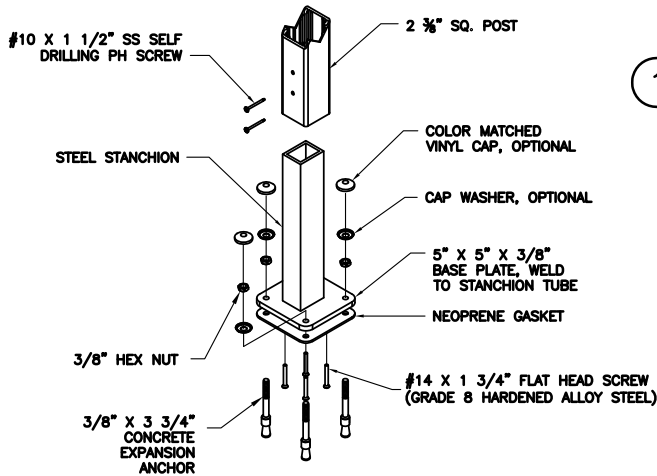
THE INFORMATION CONTAINED IN THIS DRAWING IS THE SOLE PROPERTY OF HANSEN ARCHITECTURAL SYSTEMS, INC. ANY REPRODUCTION IN PART OR AS A WHOLE WITHOUT THE WRITTEN PERMISSION OF HANSEN ARCHITECTURAL SYSTEMS, INC. IS PROHIBITED.



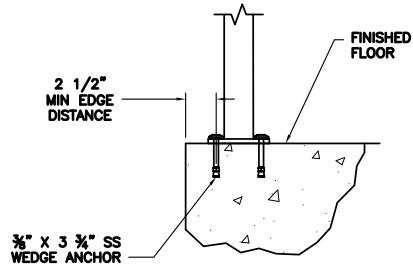
① SURFACE MOUNTING DETAIL



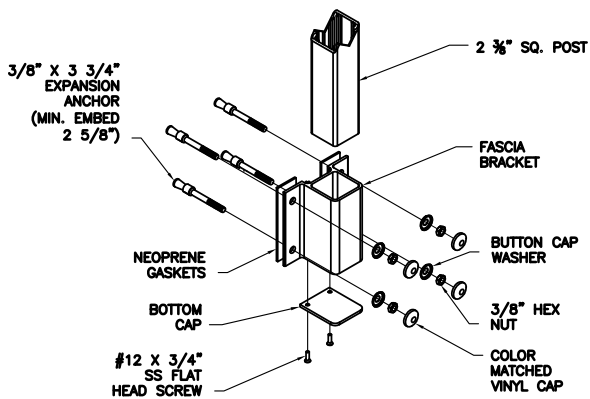
① FULL EXTENSION / ROOF MOUNT CANOPY DETAIL
3/4" = 1'



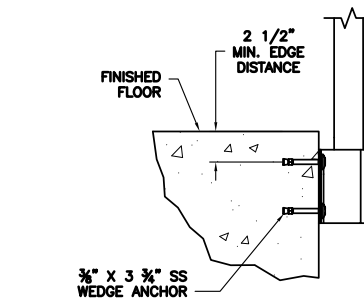
① STANCHION DETAIL



① SURFACE MOUNT



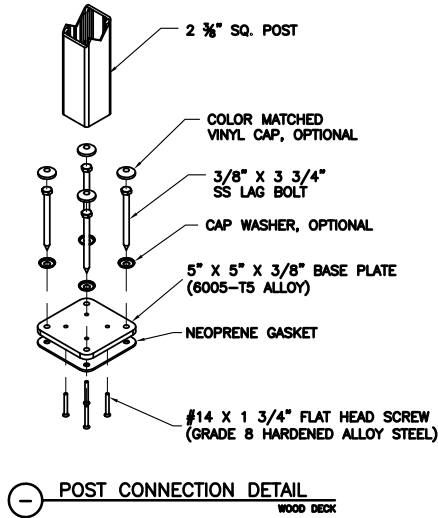
① FASCIA MOUNTING DETAIL



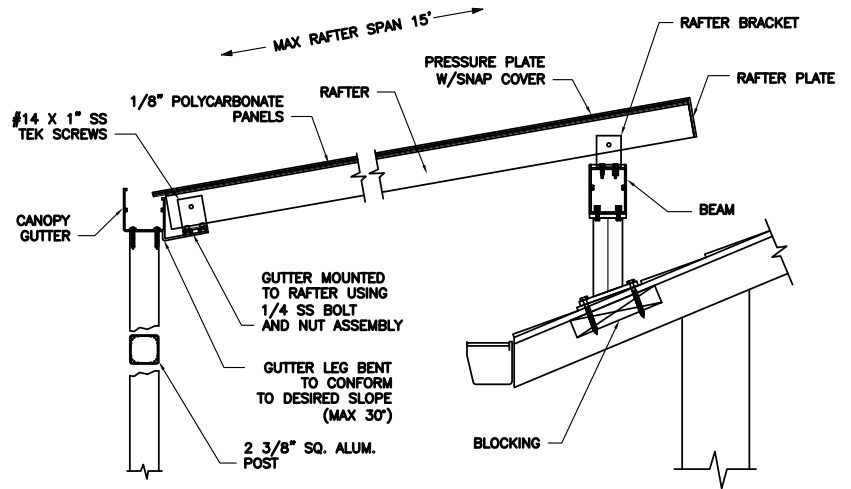
① FASCIA MOUNT

FULL EXTENSION CANOPY - CONCRETE POST MOUNT

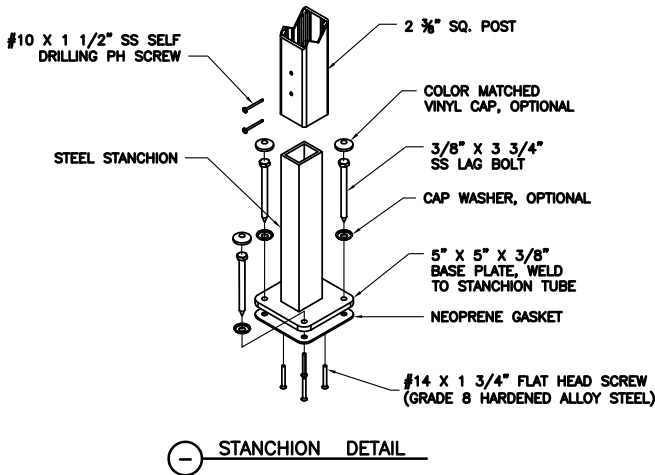
THE INFORMATION CONTAINED IN THIS DRAWING IS THE SOLE PROPERTY OF HANSEN ARCHITECTURAL SYSTEMS, INC. ANY REPRODUCTION IN PART OR AS A WHOLE WITHOUT THE WRITTEN PERMISSION OF HANSEN ARCHITECTURAL SYSTEMS, INC. IS PROHIBITED.



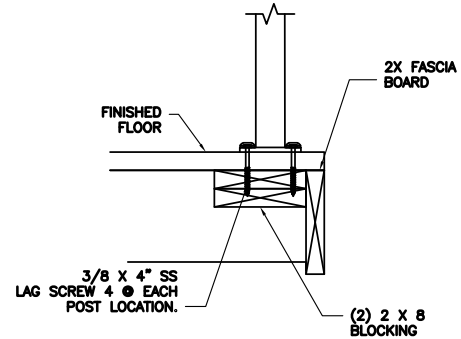
① POST CONNECTION DETAIL



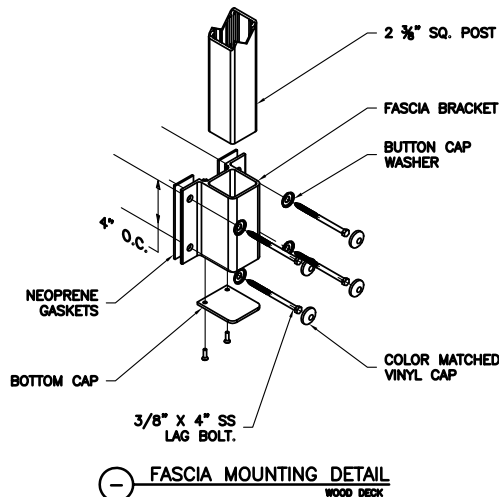
① FULL EXTENSION / ROOF MOUNT CANOPY DETAIL



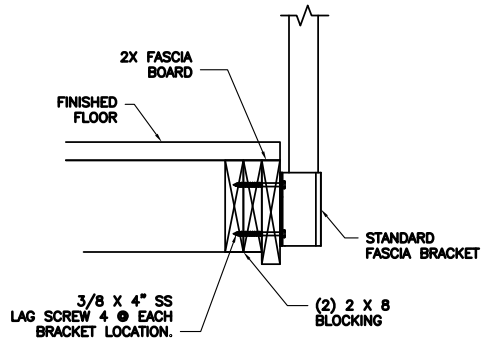
① STANCHION DETAIL



① SURFACE MOUNT WOOD CONDITION



① FASCIA MOUNTING DETAIL WOOD DECK



① FASCIA MOUNT WOOD CONDITION

FULL EXTENSION CANOPY - WOOD POST MOUNT

THE INFORMATION CONTAINED IN THIS DRAWING IS THE SOLE PROPERTY OF HANSEN ARCHITECTURAL SYSTEMS, INC. ANY REPRODUCTION IN PART OR AS A WHOLE WITHOUT THE WRITTEN PERMISSION OF HANSEN ARCHITECTURAL SYSTEMS, INC. IS PROHIBITED.