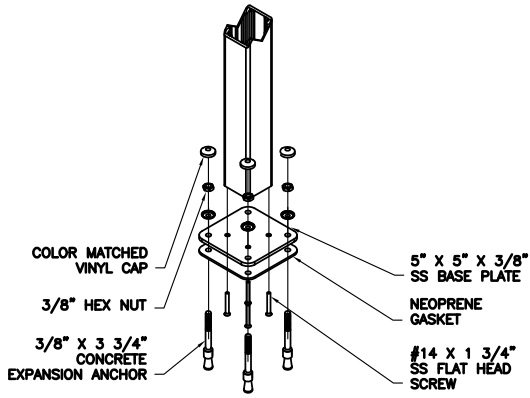
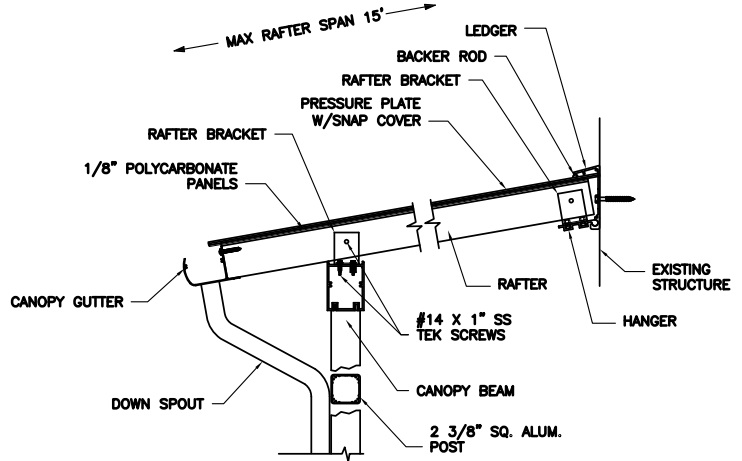


**CANTILEVER BEAM CANOPY SYSTEM SYSTEM**

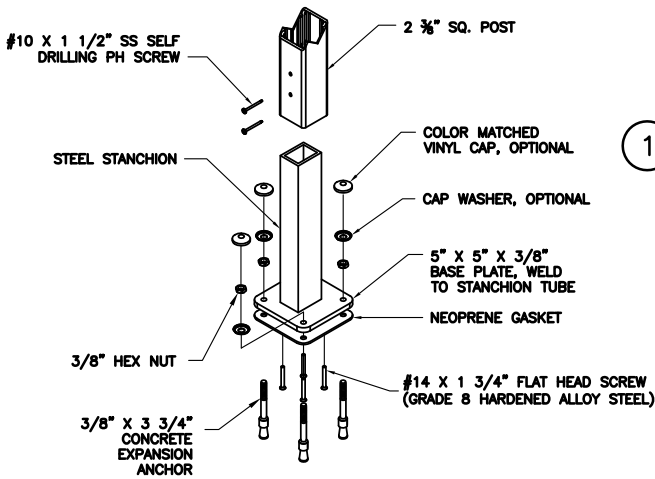
**THE INFORMATION CONTAINED IN THIS DRAWING IS THE SOLE PROPERTY OF HANSEN ARCHITECTURAL SYSTEMS, INC. ANY REPRODUCTION IN PART OR AS A WHOLE WITHOUT THE WRITTEN PERMISSION OF HANSEN ARCHITECTURAL SYSTEMS, INC. IS PROHIBITED.**



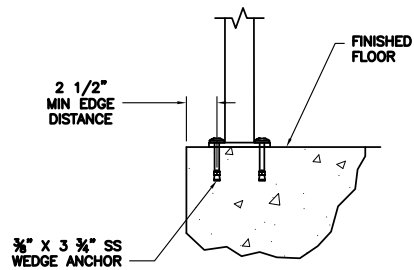
① SURFACE MOUNTING DETAIL



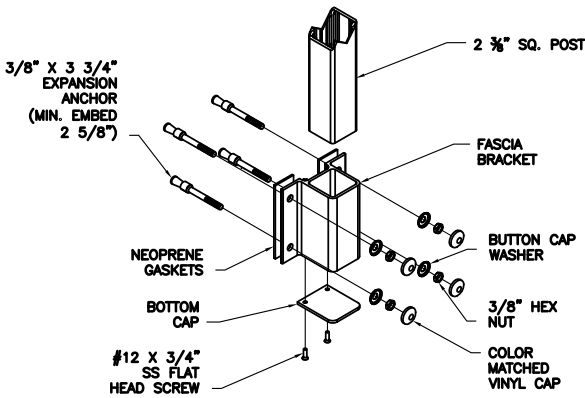
① CANTILEVER BEAM / LEDGER MOUNT CANOPY DETAIL  
3/4" = 1"



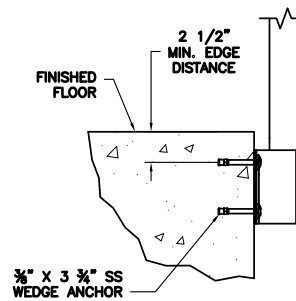
① STANCHION DETAIL



① SURFACE MOUNT



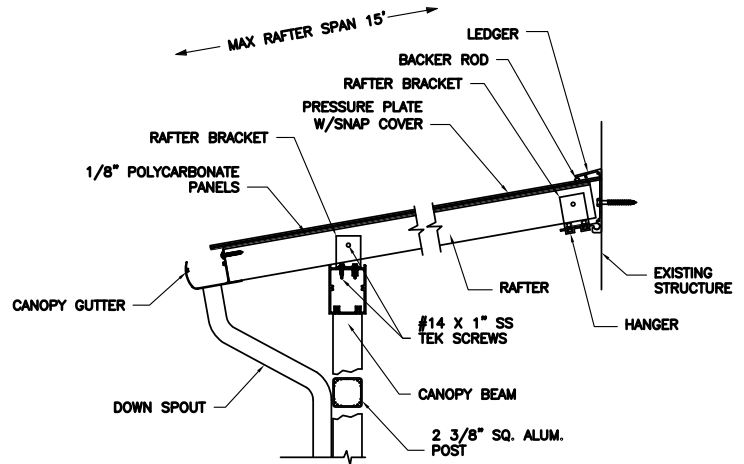
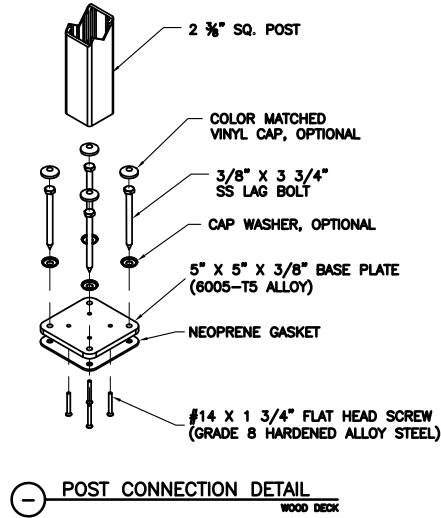
① FASCIA MOUNTING DETAIL



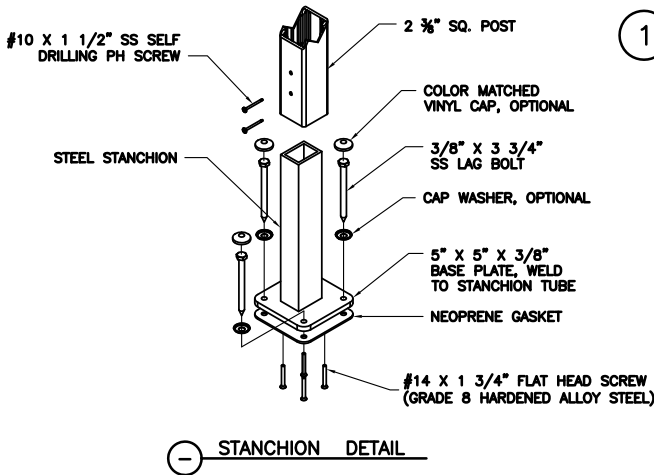
① FASCIA MOUNT

## CANTILEVER BEAM CANOPY - CONCRETE POST MOUNT

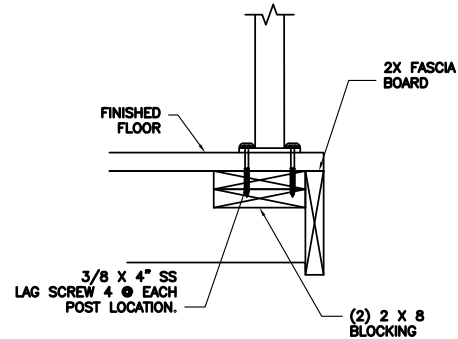
THE INFORMATION CONTAINED IN THIS DRAWING IS THE SOLE PROPERTY OF HANSEN ARCHITECTURAL SYSTEMS, INC. ANY REPRODUCTION IN PART OR AS A WHOLE WITHOUT THE WRITTEN PERMISSION OF HANSEN ARCHITECTURAL SYSTEMS, INC. IS PROHIBITED.



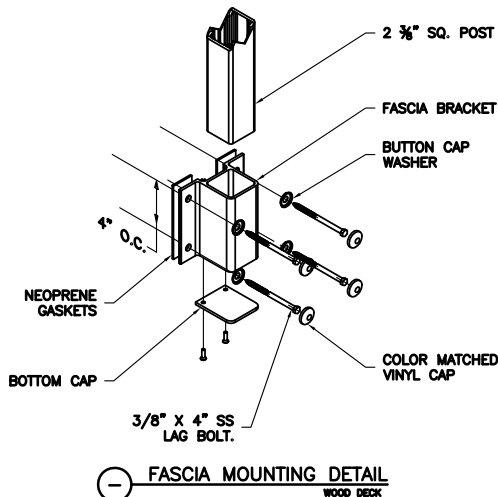
1 CANTILEVER BEAM / LEDGER MOUNT CANOPY DETAIL  
3/4" = 1"



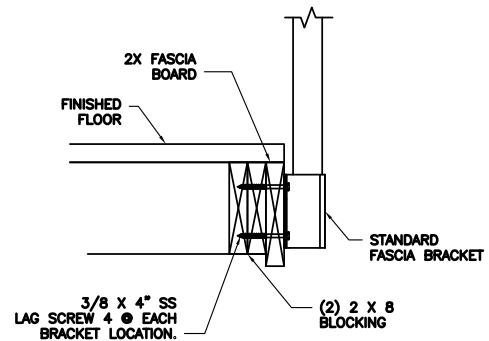
STANCHION DETAIL



1 SURFACE MOUNT  
WOOD CONNECTION



1 FASCIA MOUNTING DETAIL  
WOOD DECK



1 FASCIA MOUNT  
WOOD CONNECTION

## CANTILEVER BEAM CANOPY - WOOD POST MOUNT

THE INFORMATION CONTAINED IN THIS DRAWING IS THE SOLE PROPERTY OF HANSEN ARCHITECTURAL SYSTEMS, INC. ANY REPRODUCTION IN PART OR AS A WHOLE WITHOUT THE WRITTEN PERMISSION OF HANSEN ARCHITECTURAL SYSTEMS, INC. IS PROHIBITED.