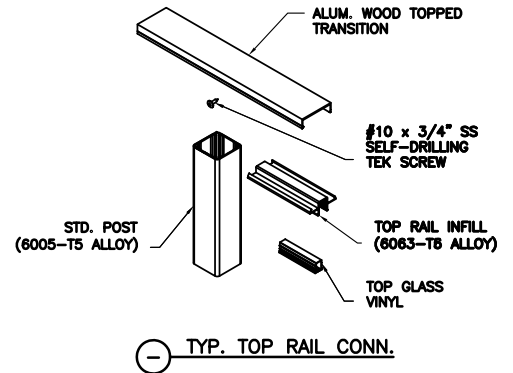
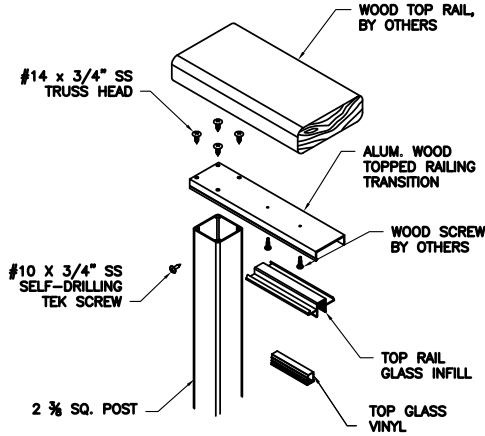
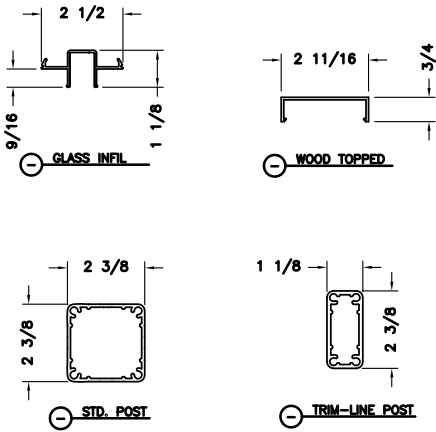


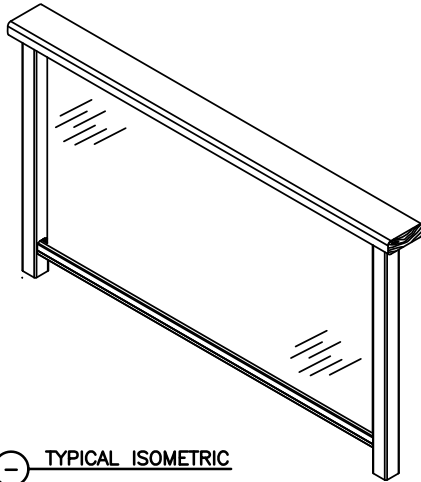
CLEARVUE RAILING

A DIVISION OF HANSEN ARCHITECTURAL SYSTEMS INC.

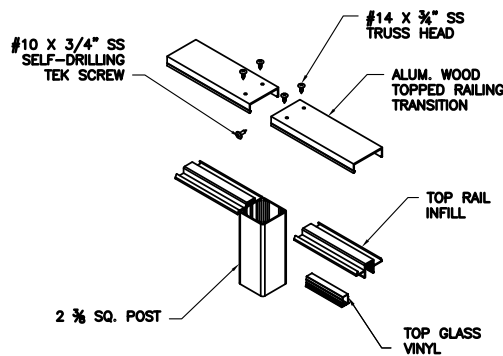


TYP. TOP RAIL CONNECTION

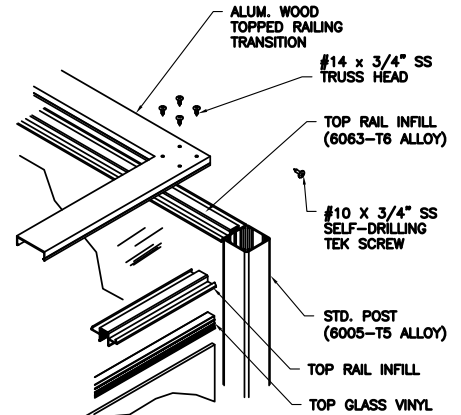
TYP. TOP RAIL CONN.



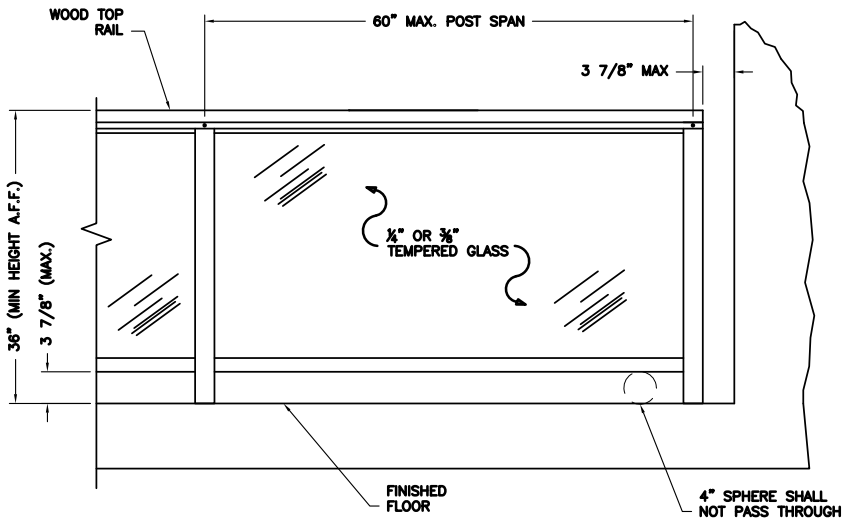
TYPICAL ISOMETRIC



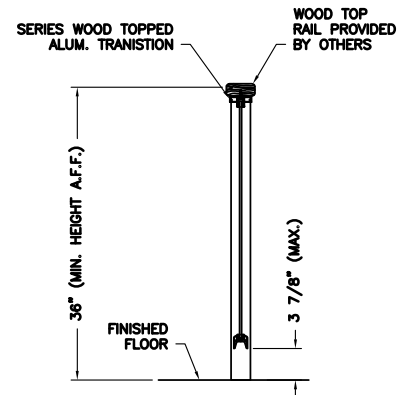
TYP. TOP RAIL SPLICE



TYP. CORNER CONN.



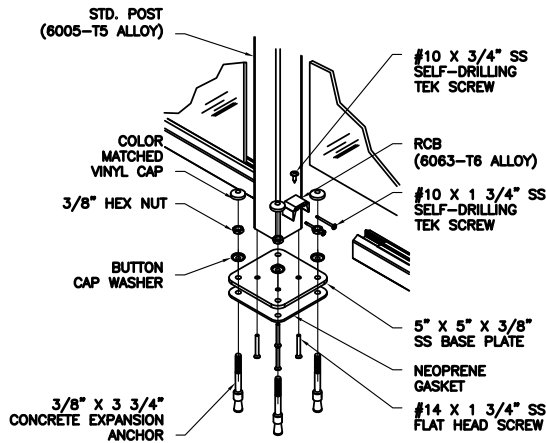
TYPICAL ELEVATION



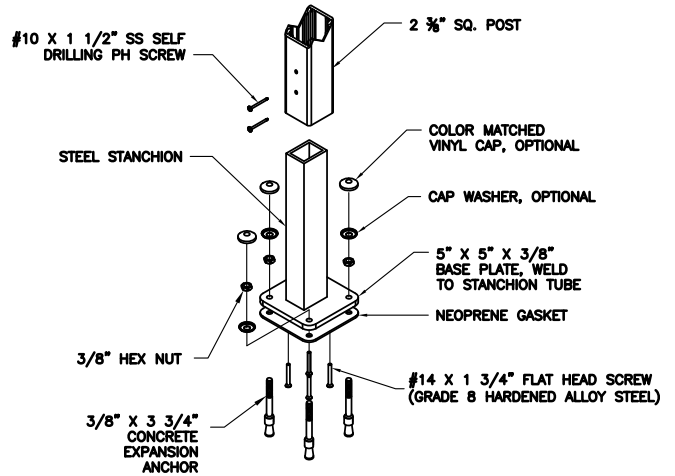
TYPICAL SECTION

PICKET RAILING SYSTEM

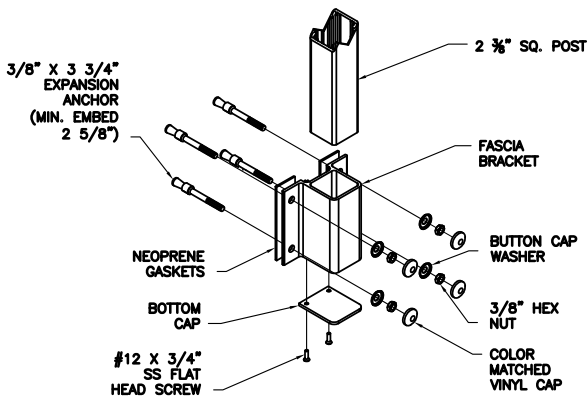
THE INFORMATION CONTAINED IN THIS DRAWING IS THE SOLE PROPERTY OF HANSEN ARCHITECTURAL SYSTEMS, INC. ANY REPRODUCTION IN PART OR AS A WHOLE WITHOUT THE WRITTEN PERMISSION OF HANSEN ARCHITECTURAL SYSTEMS, INC. IS PROHIBITED.



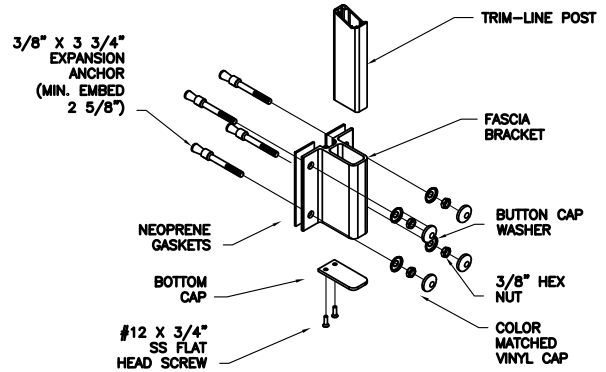
BASE PLATE MTG DETAIL
1 1/2" = 1"



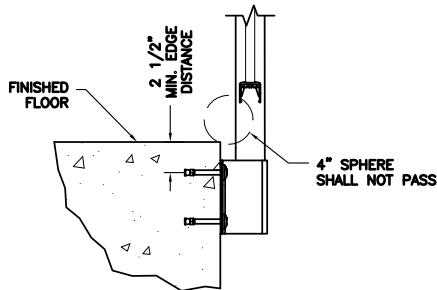
STANCHION DETAIL



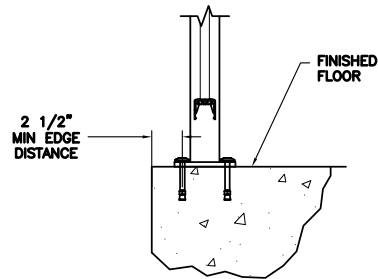
FASCIA MOUNTING DETAIL



FASCIA MOUNTING DETAIL



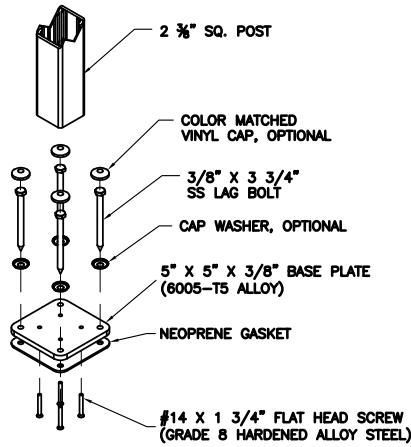
FASCIA MOUNT



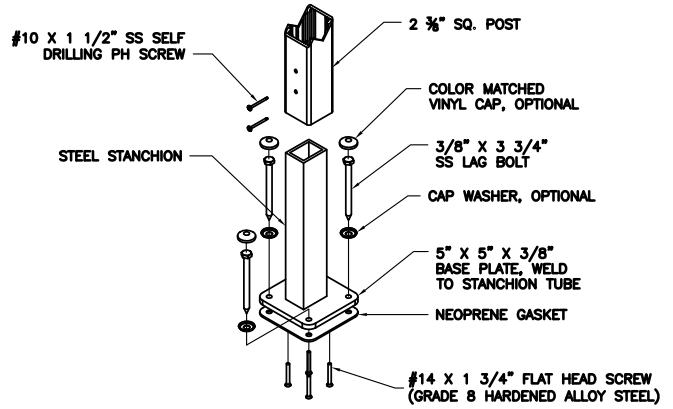
SURFACE MOUNT

PICKET RAILING SYSTEM - CONCRETE MOUNT

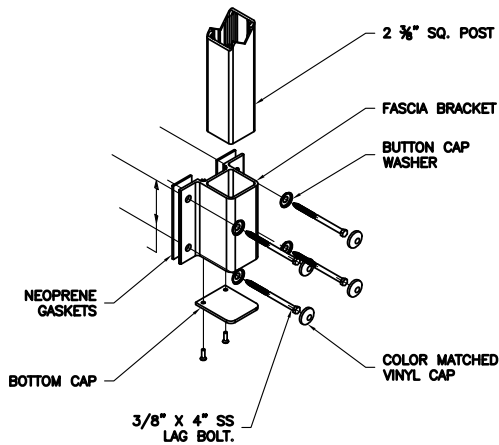
THE INFORMATION CONTAINED IN THIS DRAWING IS THE SOLE PROPERTY OF HANSEN ARCHITECTURAL SYSTEMS, INC. ANY REPRODUCTION IN PART OR AS A WHOLE WITHOUT THE WRITTEN PERMISSION OF HANSEN ARCHITECTURAL SYSTEMS, INC. IS PROHIBITED.



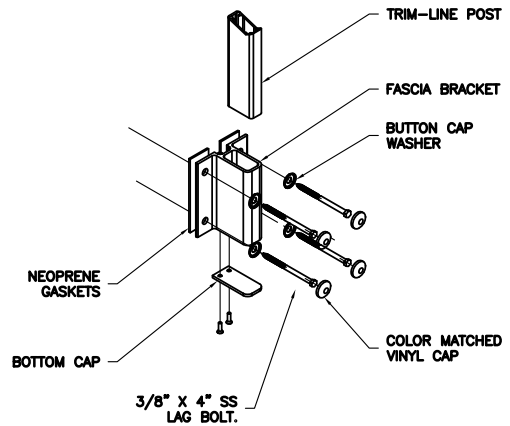
— POST CONNECTION DETAIL
WOOD DECK



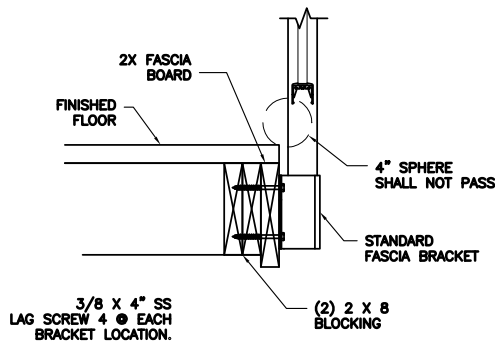
— STANCHION DETAIL



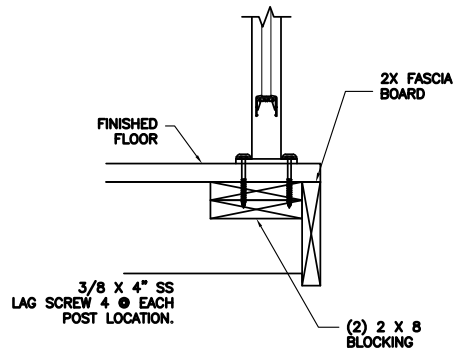
— FASCIA MOUNTING DETAIL
WOOD DECK



— FASCIA MOUNTING DETAIL
WOOD DECK



— FASCIA MOUNT
WOOD CONDITION



— SURFACE MOUNT
WOOD CONDITION

PICKET RAILING SYSTEM - WOOD MOUNT

THE INFORMATION CONTAINED IN THIS DRAWING IS THE SOLE PROPERTY OF HANSEN ARCHITECTURAL SYSTEMS, INC. ANY REPRODUCTION IN PART OR AS A WHOLE WITHOUT THE WRITTEN PERMISSION OF HANSEN ARCHITECTURAL SYSTEMS, INC. IS PROHIBITED.