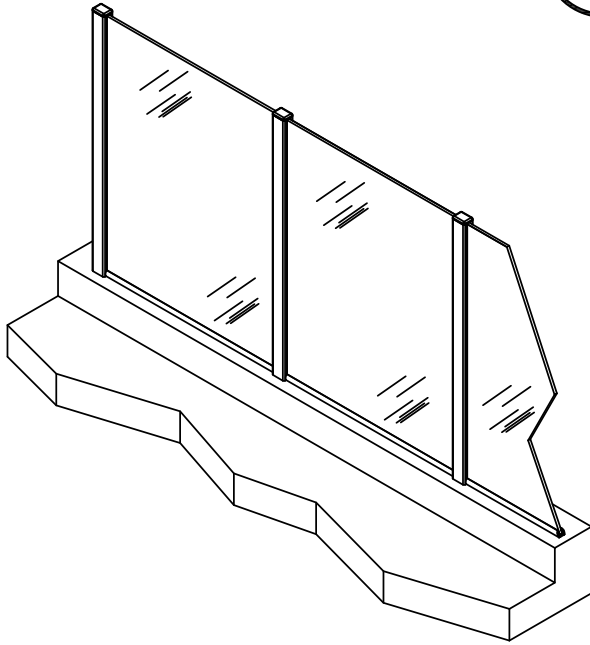
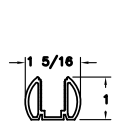


# CLEARVUE RAILING

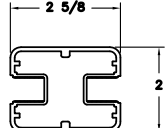
A DIVISION OF HANSEN ARCHITECTURAL SYSTEMS INC.



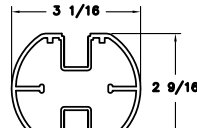
4 ISOMETRIC VIEW NTS



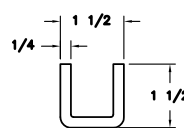
BOTTOM RAIL



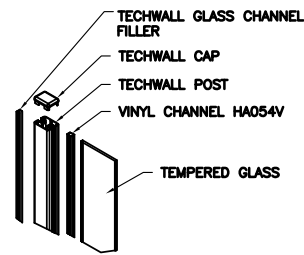
GLASS WALL POST - SQUARE



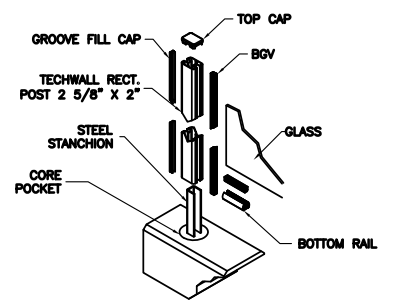
GLASS WALL POST - ROUND



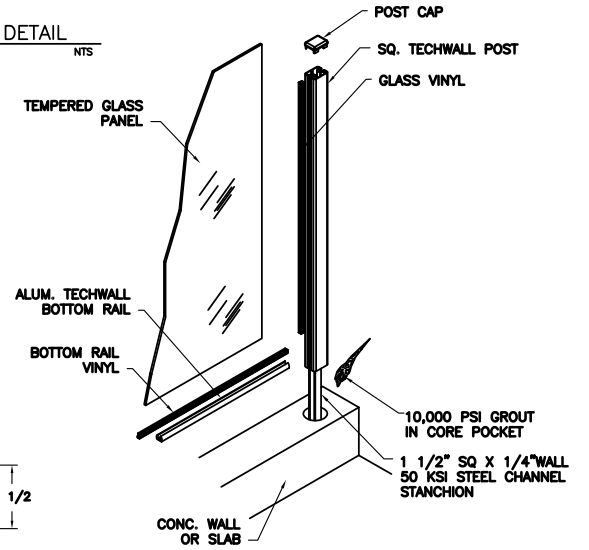
STANCHION



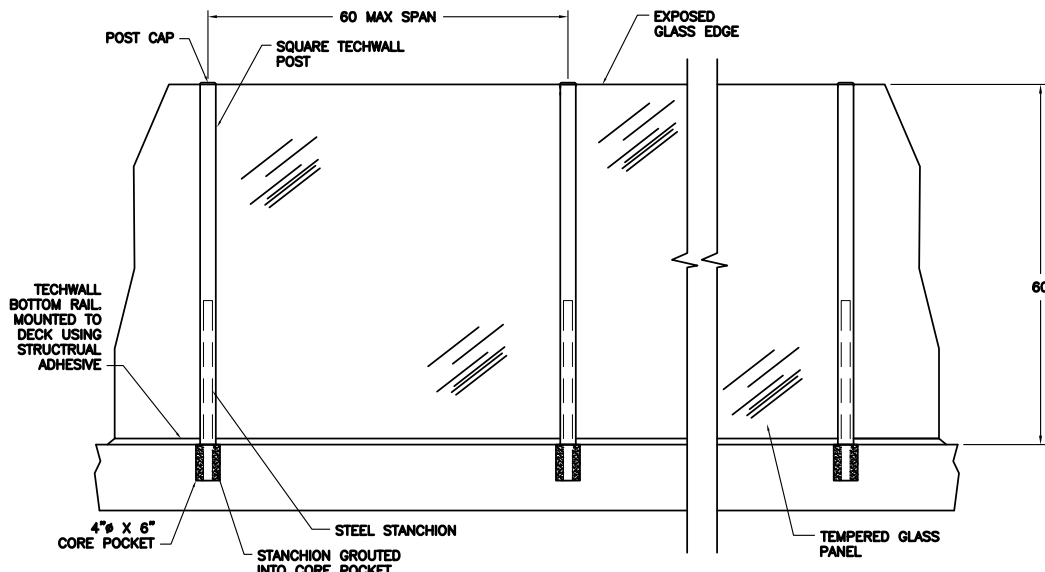
END COND. DETAIL NTS



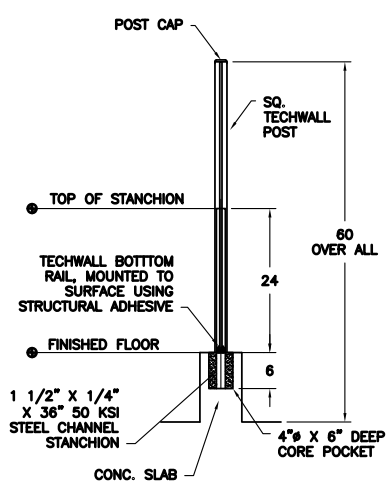
GLASS WALL SURFACE SET BOTTOM RAIL



EXPLODED ISOMETRIC NTS



TYPICAL ELEVATION NTS



TYPICAL SECTION NTS

## GLASS WALL SYSTEM

THE INFORMATION CONTAINED IN THIS DRAWING IS THE SOLE PROPERTY OF HANSEN ARCHITECTURAL SYSTEMS, INC. ANY REPRODUCTION IN PART OR AS A WHOLE WITHOUT THE WRITTEN PERMISSION OF HANSEN ARCHITECTURAL SYSTEMS, INC. IS PROHIBITED.