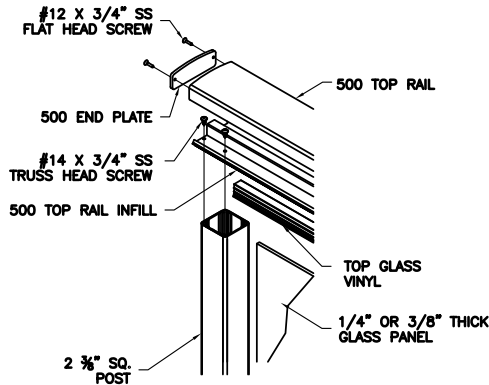
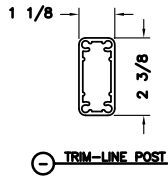
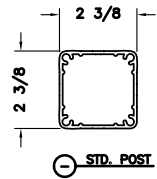
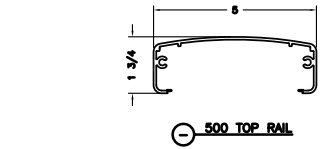
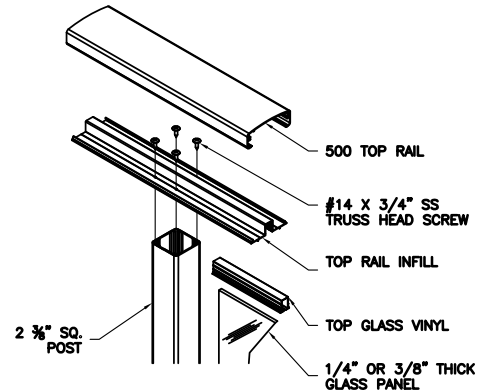


# CLEARVUE RAILING

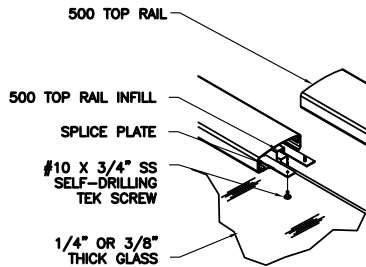
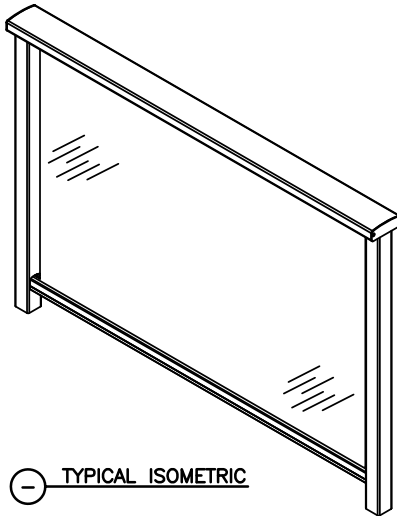
A DIVISION OF HANSEN ARCHITECTURAL SYSTEMS INC.



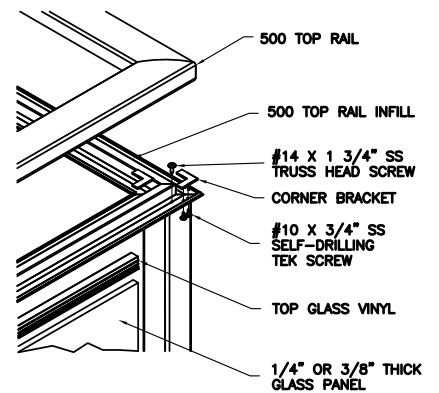
END CONDITION DETAIL



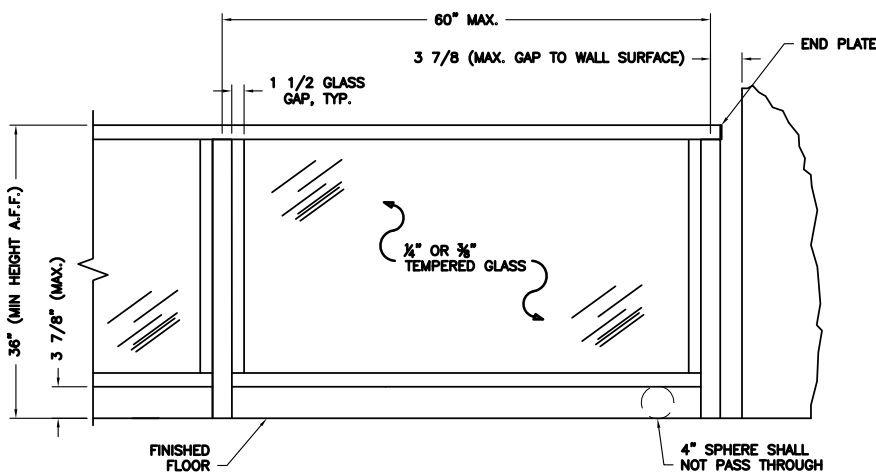
TYP. TOP RAIL CONNECTION



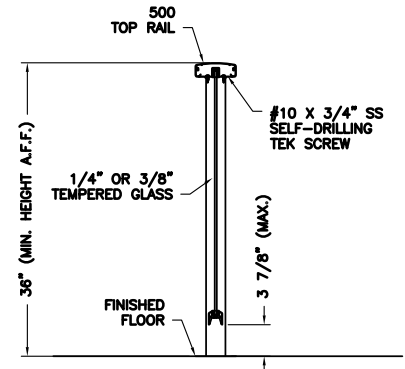
SPLICE PLATE DETAIL



TYP. CORNER CONN.



TYPICAL ELEVATION



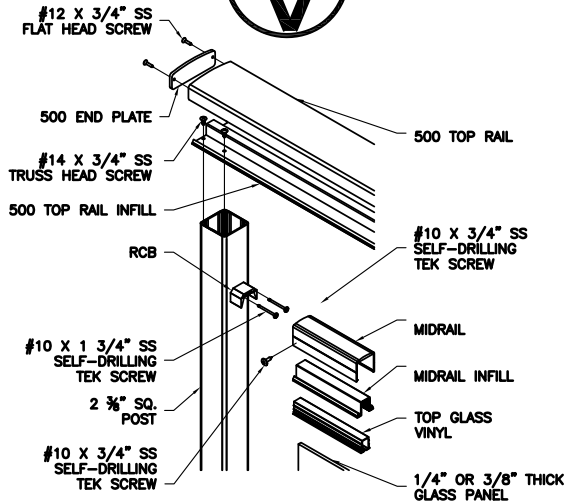
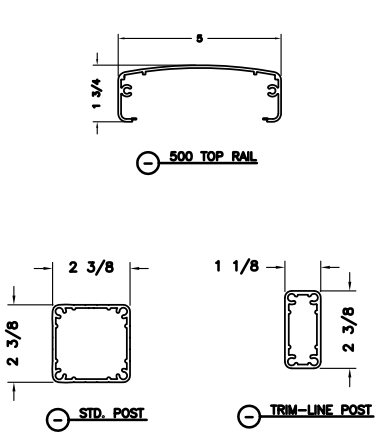
TYPICAL SECTION

## GLASS RAILING SYSTEM

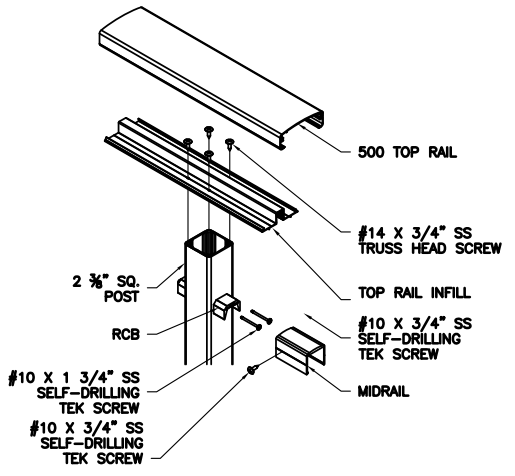
THE INFORMATION CONTAINED IN THIS DRAWING IS THE SOLE PROPERTY OF HANSEN ARCHITECTURAL SYSTEMS, INC. ANY REPRODUCTION IN PART OR AS A WHOLE WITHOUT THE WRITTEN PERMISSION OF HANSEN ARCHITECTURAL SYSTEMS, INC. IS PROHIBITED.

# CLEARVUE RAILING

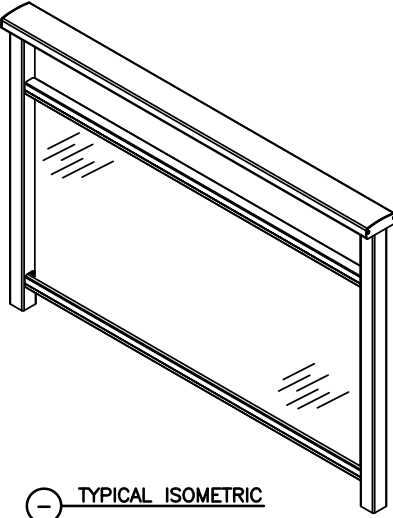
A DIVISION OF HANSEN ARCHITECTURAL SYSTEMS INC.



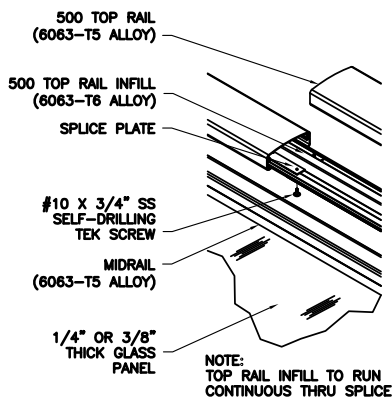
END CONDITION DETAIL



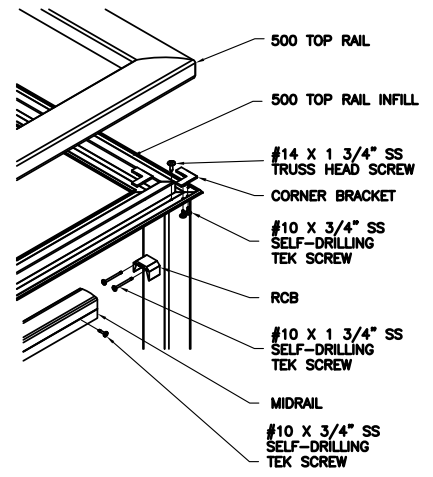
TYP. TOP RAIL CONNECTION



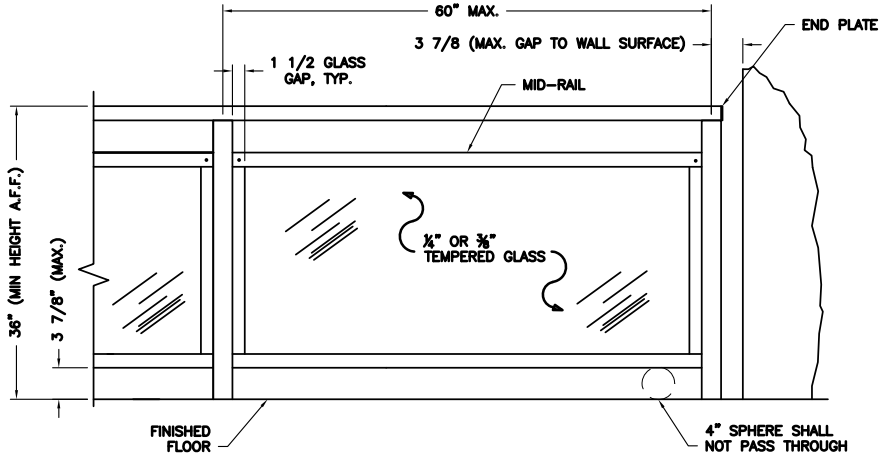
TYPICAL ISOMETRIC



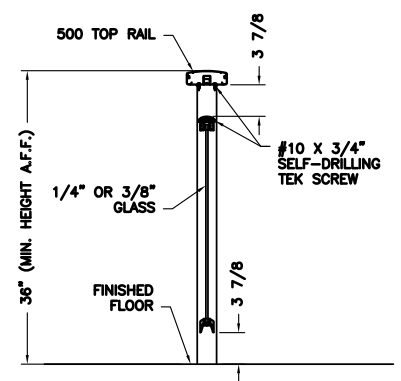
SPlice PLATE DETAIL



TYP. CORNER CONN.



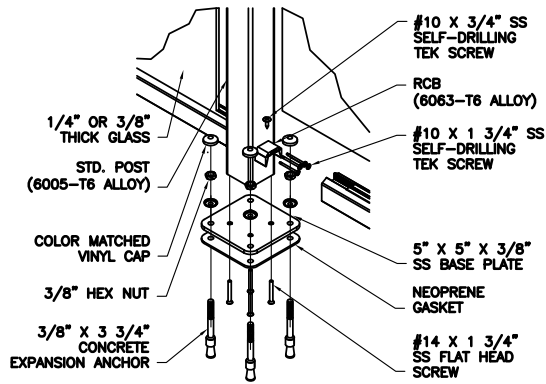
TYPICAL ELEVATION



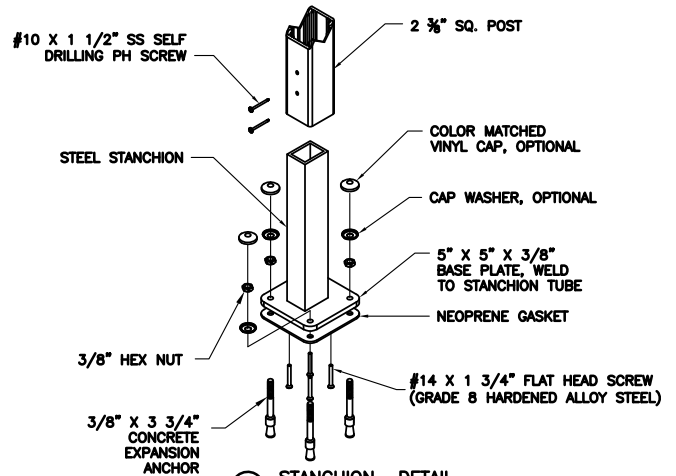
TYPICAL SECTION

## GLASS RAILING SYSTEM - MID RAIL OPTION

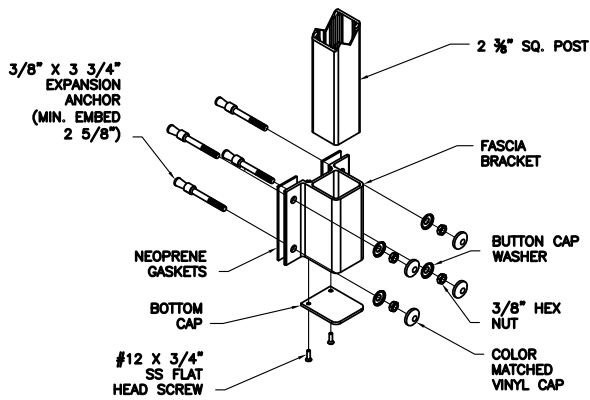
THE INFORMATION CONTAINED IN THIS DRAWING IS THE SOLE PROPERTY OF HANSEN ARCHITECTURAL SYSTEMS, INC. ANY REPRODUCTION IN PART OR AS A WHOLE WITHOUT THE WRITTEN PERMISSION OF HANSEN ARCHITECTURAL SYSTEMS, INC. IS PROHIBITED.



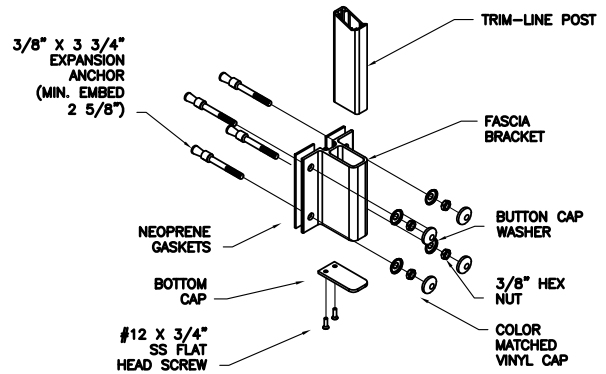
— SURFACE MOUNTING DETAIL



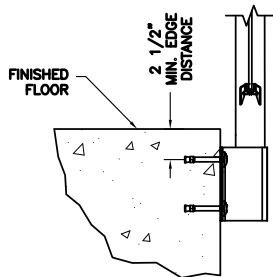
— STANCHION DETAIL



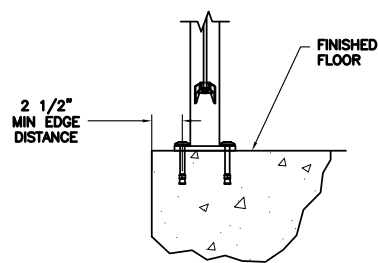
— FASCIA MOUNTING DETAIL



— FASCIA MOUNTING DETAIL



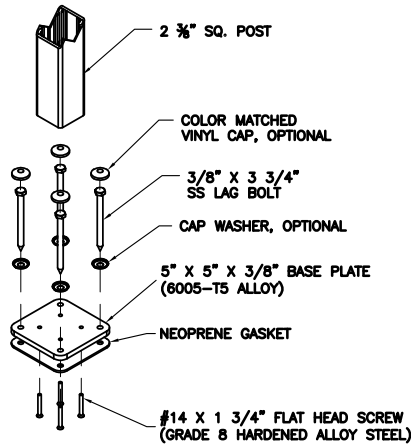
— FASCIA MOUNT



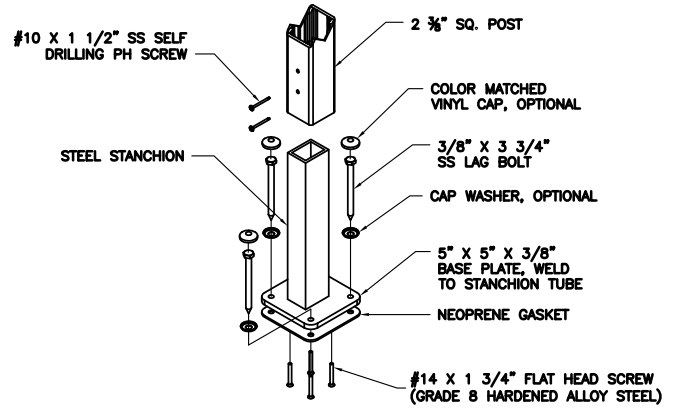
— SURFACE MOUNT

## GLASS RAILING SYSTEM - CONCRETE MOUNT

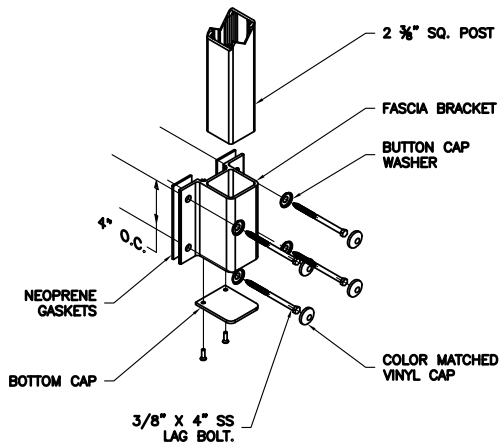
THE INFORMATION CONTAINED IN THIS DRAWING IS THE SOLE PROPERTY OF HANSEN ARCHITECTURAL SYSTEMS, INC. ANY REPRODUCTION IN PART OR AS A WHOLE WITHOUT THE WRITTEN PERMISSION OF HANSEN ARCHITECTURAL SYSTEMS, INC. IS PROHIBITED.



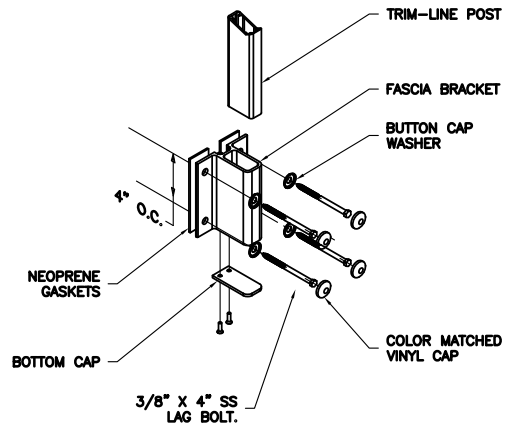
POST CONNECTION DETAIL  
WOOD DECK



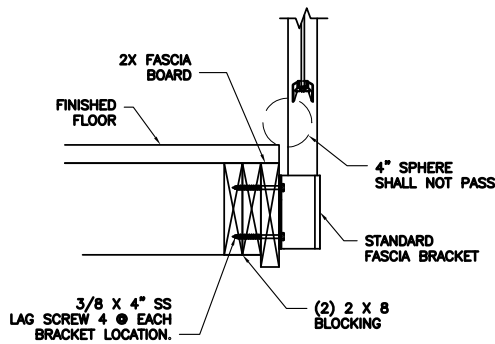
STANCHION DETAIL



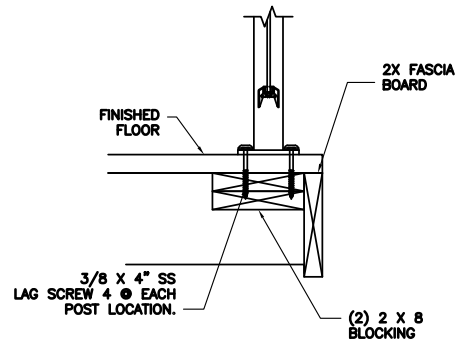
FASCIA MOUNTING DETAIL  
WOOD DECK



FASCIA MOUNTING DETAIL  
WOOD DECK



FASCIA MOUNT  
WOOD CONDITION



SURFACE MOUNT  
WOOD CONDITION

## GLASS RAILING SYSTEM - WOOD MOUNT

THE INFORMATION CONTAINED IN THIS DRAWING IS THE SOLE PROPERTY OF HANSEN ARCHITECTURAL SYSTEMS, INC. ANY REPRODUCTION IN PART OR AS A WHOLE WITHOUT THE WRITTEN PERMISSION OF HANSEN ARCHITECTURAL SYSTEMS, INC. IS PROHIBITED.