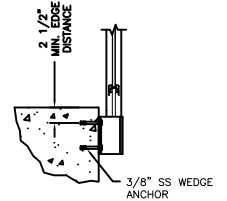
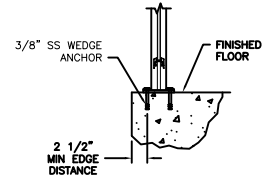


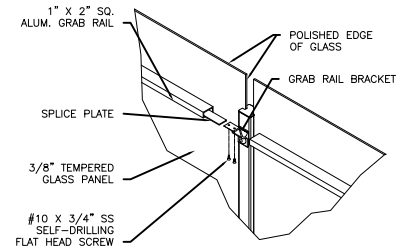
○ CORE MOUNT



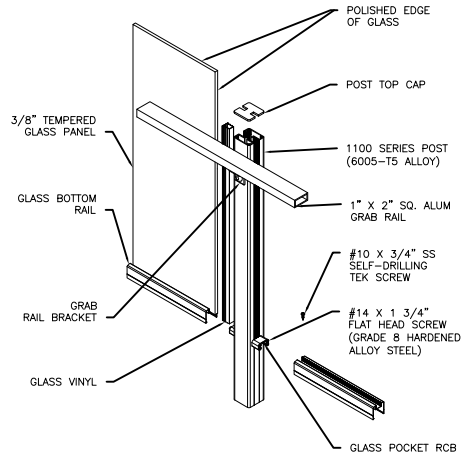
○ FASCIA MOUNT



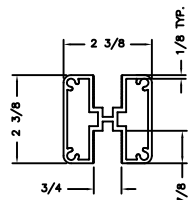
○ SURFACE MOUNT



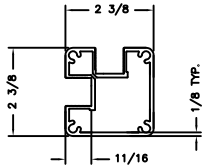
○ SPLICE DETAIL



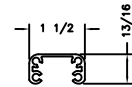
○ CONNECTION DETAIL



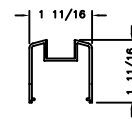
○ IN-LINE POST



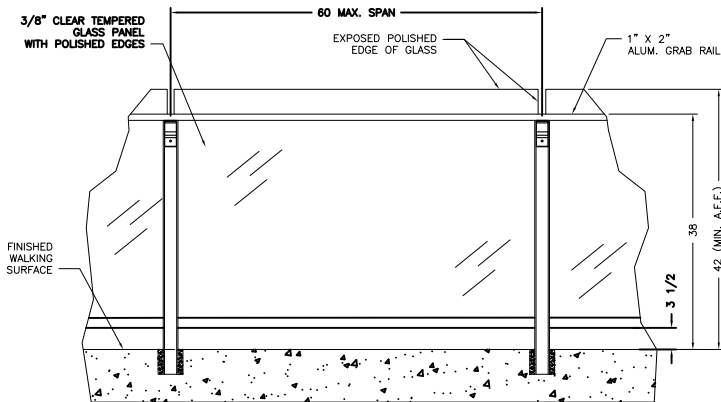
○ CORNER POST



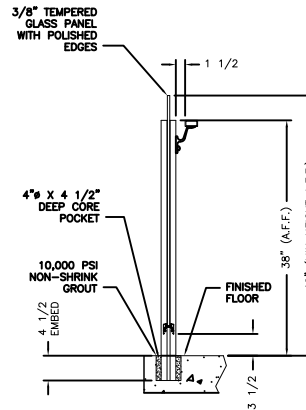
○ RCB



○ BOTTOM RAIL

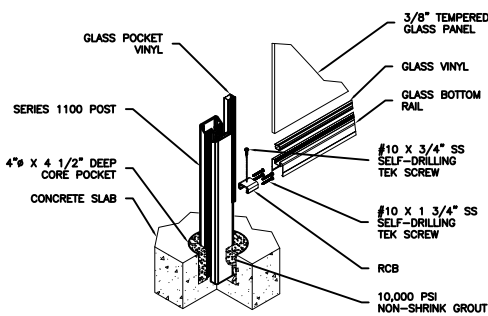


○ TYPICAL ELEVATION

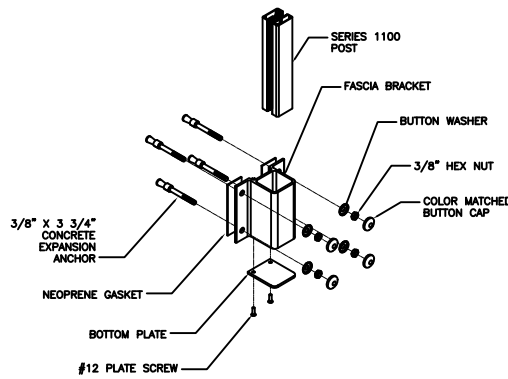


○ TYPICAL SECTION

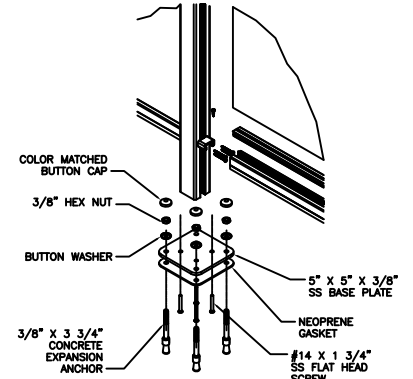
NOTE:  
 WHEN SURFACE MOUNTING WITH  
 BASE PLATES, MAXIMUM POST SPAN IS 4' - 0"



○ CORE POCKET DETAIL



○ FASCIA MOUNTING DETAIL



○ SURFACE MOUNT DETAIL