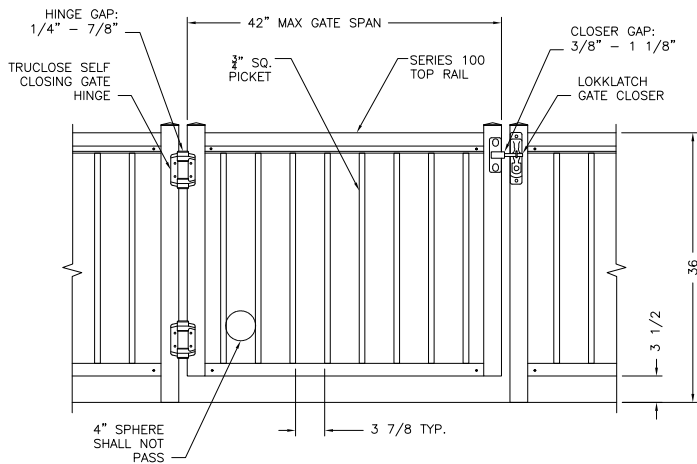
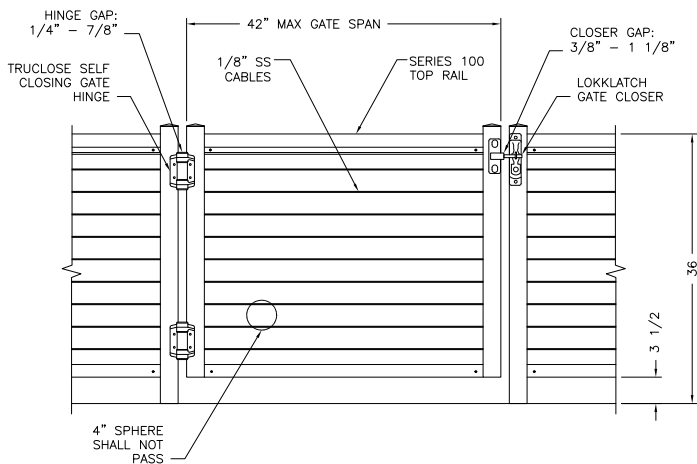


# CLEARVUE RAILING

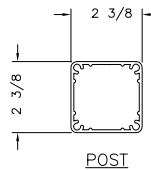
A DIVISION OF HANSEN ARCHITECTURAL SYSTEMS INC.



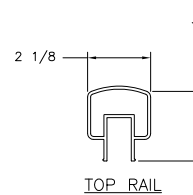
SERIES 100 GATE ELEVATION  
SQ. PICKET INFILL



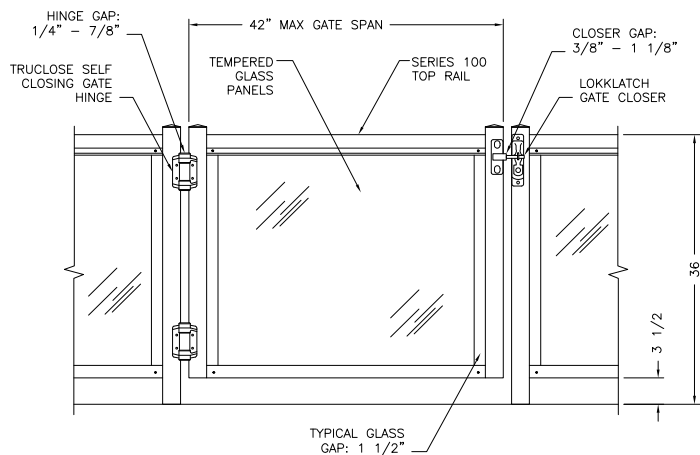
SERIES 100 GATE ELEVATION  
1/8" SS CABLE INFILL



POST



TOP RAIL



SERIES 100 GATE ELEVATION  
GLASS INFILL

## SERIES 100 PEDESTRIAN GATES

5500 SE ALEXANDER ST. HILLSBORO OR. 97123

PH. 503-356-0959 FAX 503-356-8478

[www.aluminumrailing.com](http://www.aluminumrailing.com)