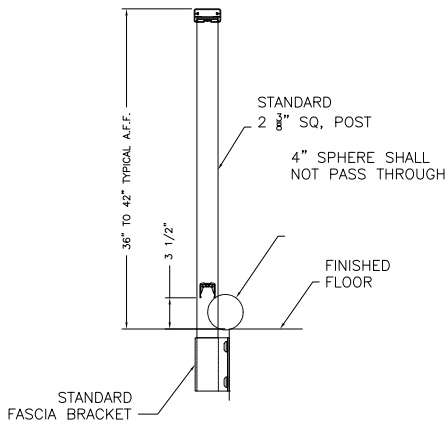
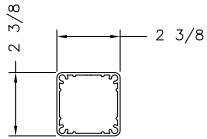
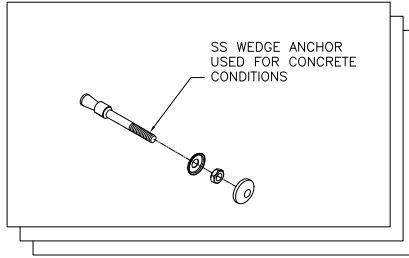


CLEARVUE RAILING

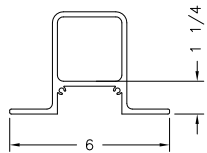
A DIVISION OF HANSEN ARCHITECTURAL SYSTEMS INC.



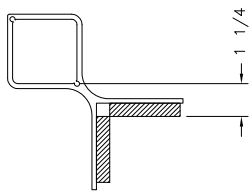
TYPICAL RAILING SECTION



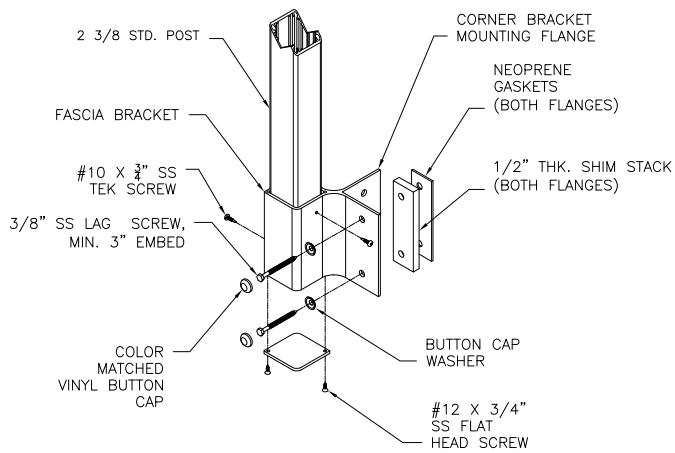
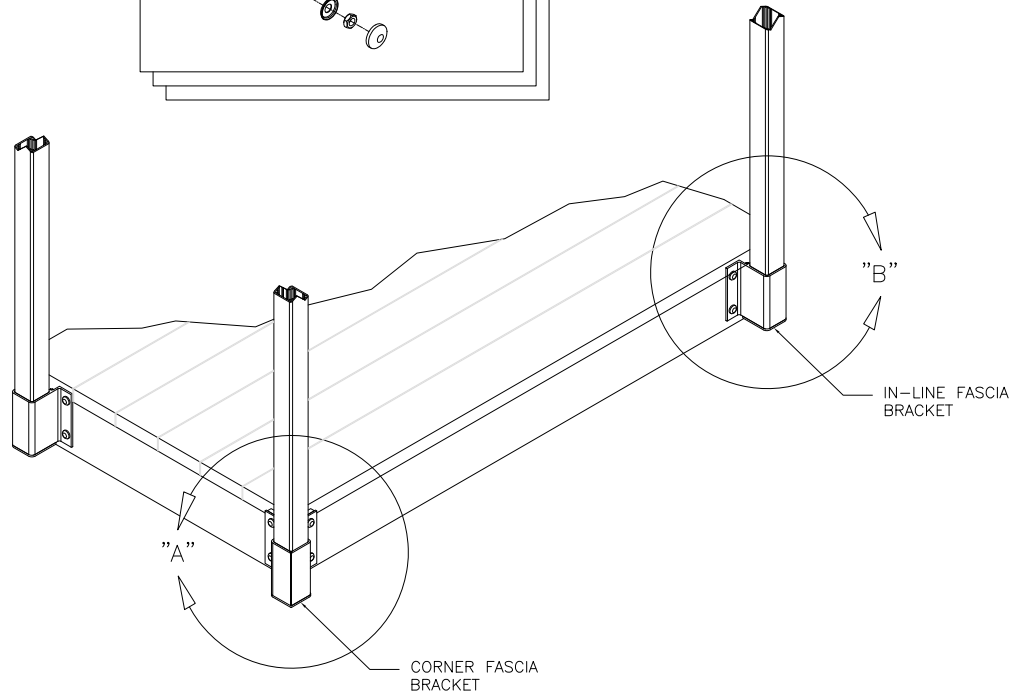
STD. POST
SCALE: 3X



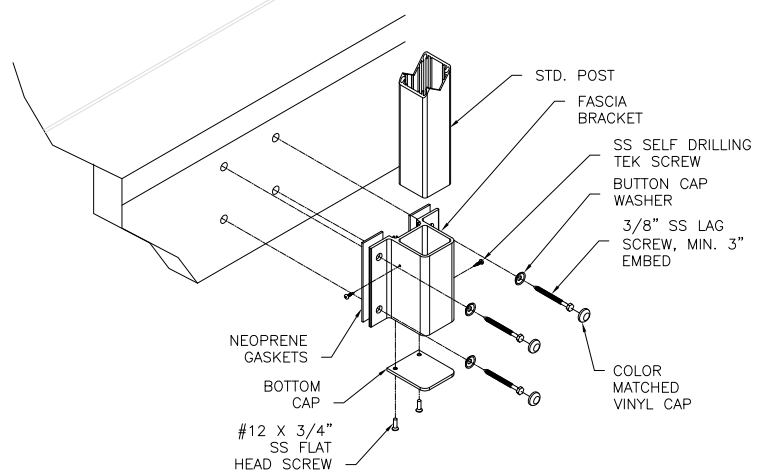
IN-LINE FASCIA BRACKET
SCALE: 3X



CORNER FASCIA BRACKET
SCALE: 3X



(A) FASCIA BRACKET MOUNTING DETAIL
SCALE: 1.5X



(B) FASCIA BRACKET MOUNTING DETAIL
SCALE 1.5X

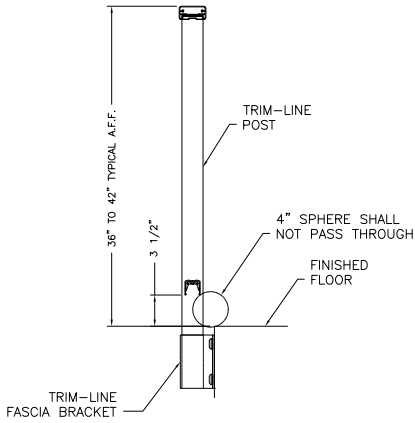
FASCIA BRACKET DETAILS

5500 SE ALEXANDER ST. HILLSBORO OR. 97123
PH. 503-356-0959 FAX 503-356-8478

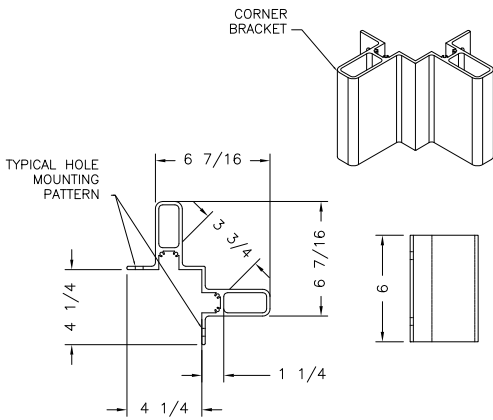
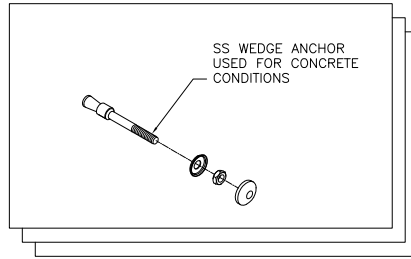
www.aluminumrailing.com

CLEARVUE RAILING

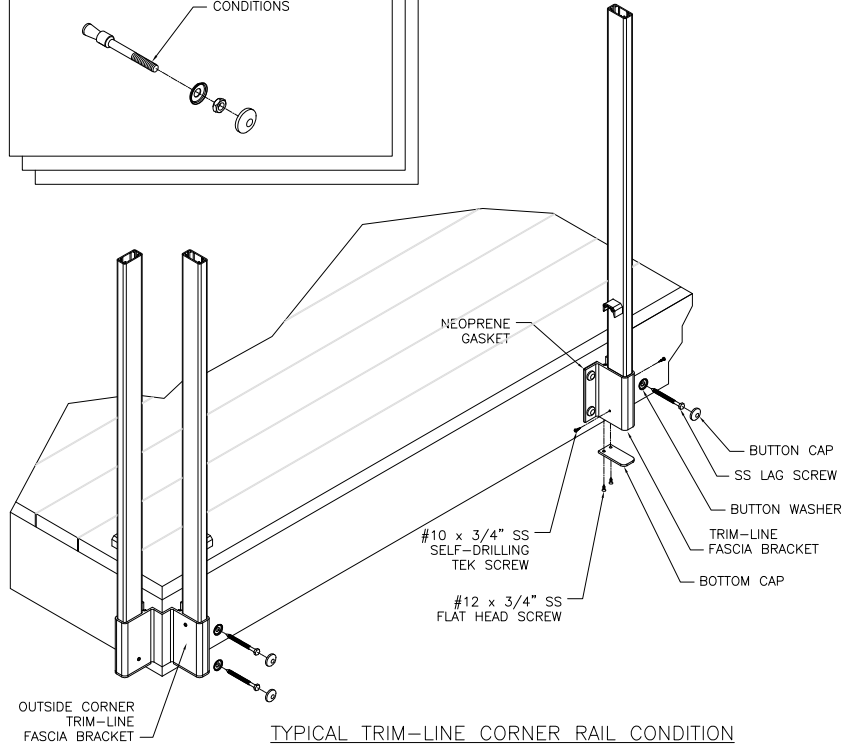
A DIVISION OF HANSEN ARCHITECTURAL SYSTEMS INC.



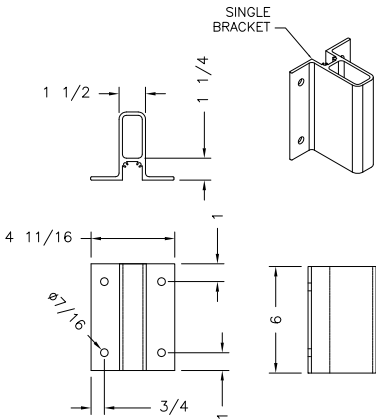
TYPICAL RAILING SECTION



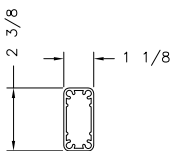
TRIM-LINE FASCIA CORNER BRACKET



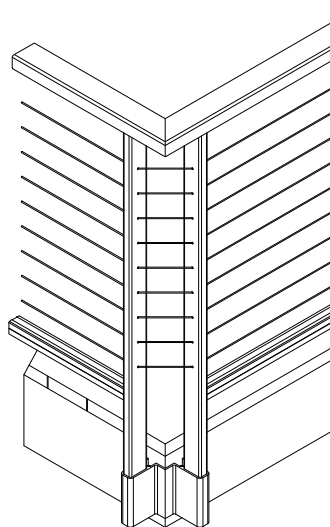
TYPICAL TRIM-LINE CORNER RAIL CONDITION



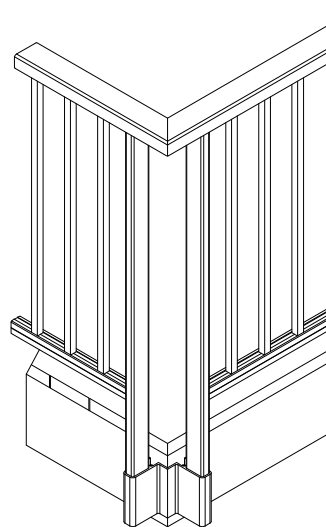
TRIM-LINE FASCIA IN-LINE BRACKET



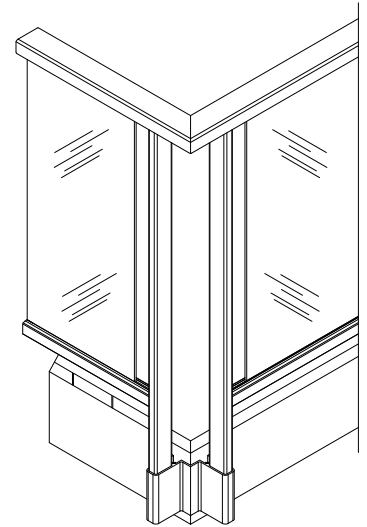
TRIM-LINE POST



CABLE INFILL CORNER



PICKET INFILL CORNER



GLASS INFILL CORNER

TRIM-LINE FASCIA BRACKET DETAILS

5500 SE ALEXANDER ST. HILLSBORO OR. 97123
PH. 503-356-0959 FAX 503-356-8478

www.aluminumrailing.com