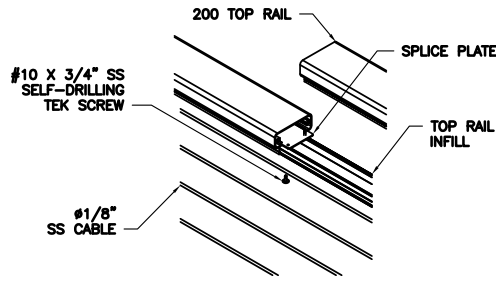
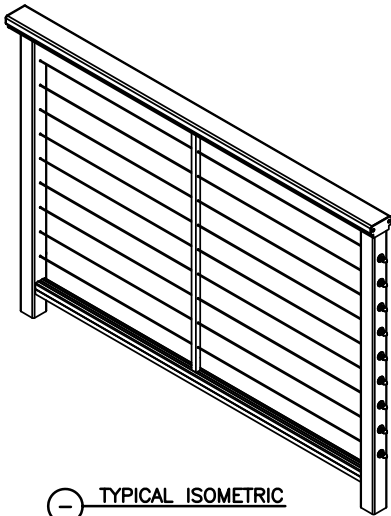
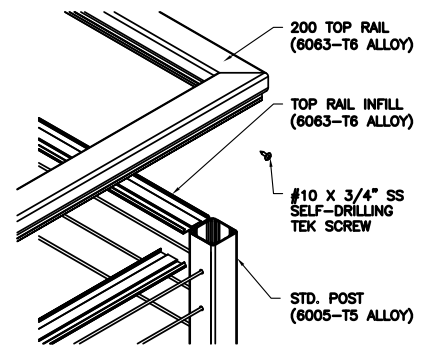


END CONDITION DETAIL

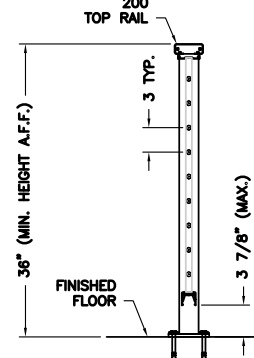
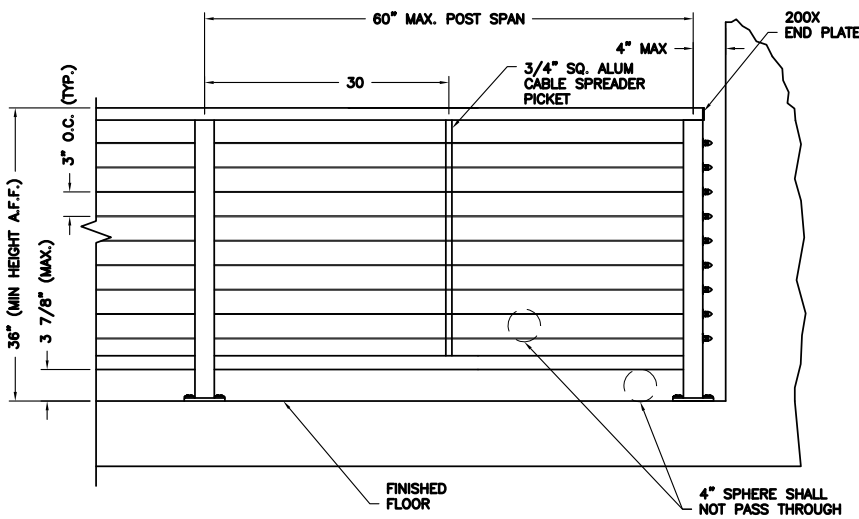
TYP. TOP RAIL CONN.



SPLICE PLATE DETAIL



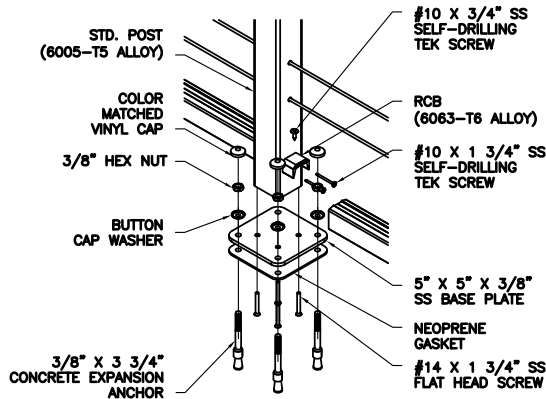
TYP. CORNER CONN.



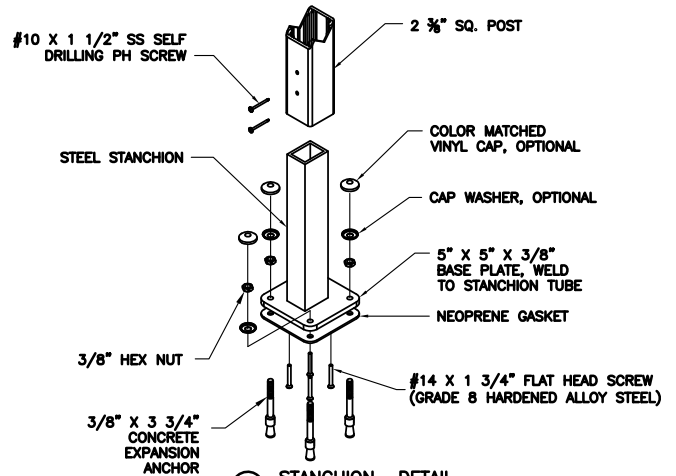
TYPICAL SECTION

CABLE RAILING SYSTEM

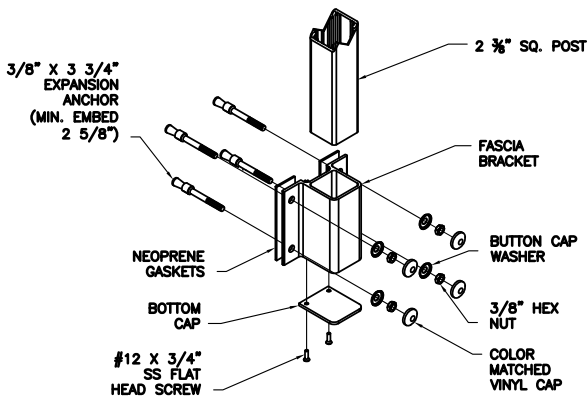
THE INFORMATION CONTAINED IN THIS DRAWING IS THE SOLE PROPERTY OF HANSEN ARCHITECTURAL SYSTEMS, INC. ANY REPRODUCTION IN PART OR AS A WHOLE WITHOUT THE WRITTEN PERMISSION OF HANSEN ARCHITECTURAL SYSTEMS, INC. IS PROHIBITED.



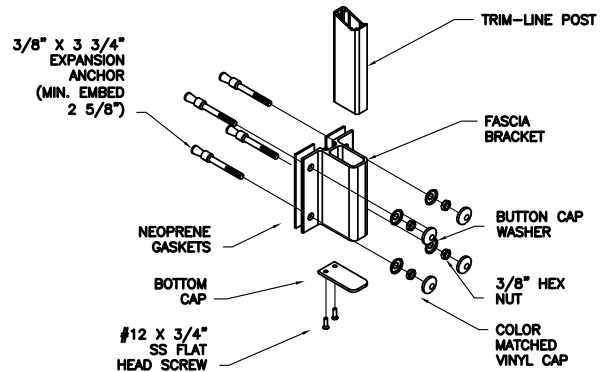
— BASE PLATE MTG DETAIL
1 1/2" - 1"



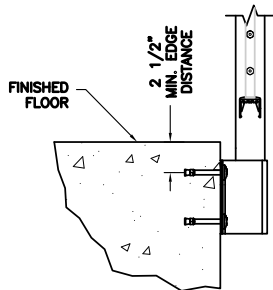
— STANCHION DETAIL



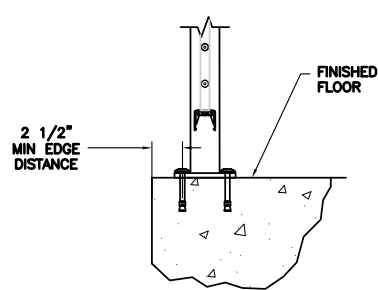
— FASCIA MOUNTING DETAIL



— FASCIA MOUNTING DETAIL



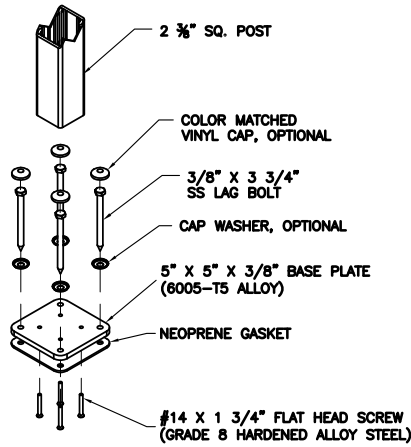
— FASCIA MOUNT



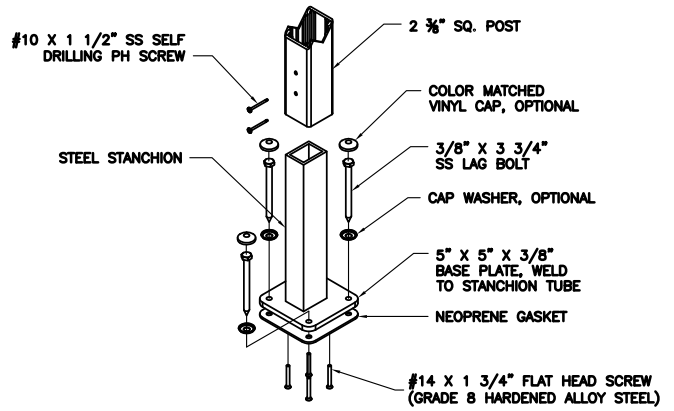
— SURFACE MOUNT

CABLE RAILING SYSTEM - CONCRETE MOUNT

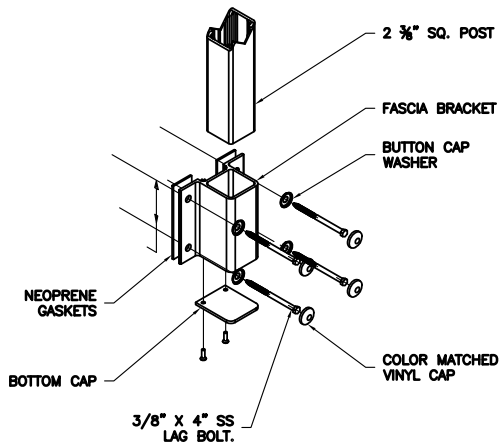
THE INFORMATION CONTAINED IN THIS DRAWING IS THE SOLE PROPERTY OF HANSEN ARCHITECTURAL SYSTEMS, INC. ANY REPRODUCTION IN PART OR AS A WHOLE WITHOUT THE WRITTEN PERMISSION OF HANSEN ARCHITECTURAL SYSTEMS, INC. IS PROHIBITED.



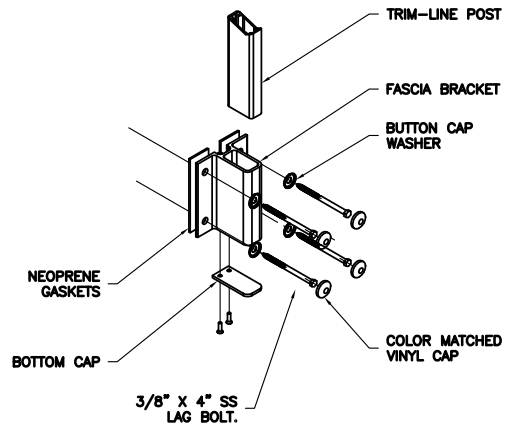
— POST CONNECTION DETAIL
WOOD DECK



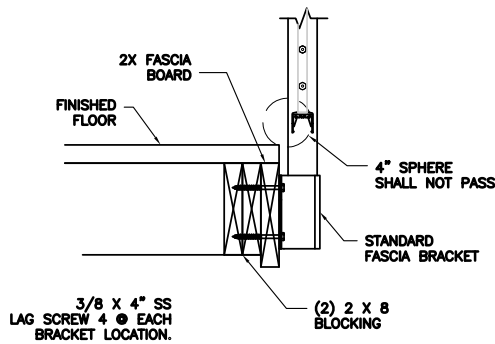
— STANCHION DETAIL



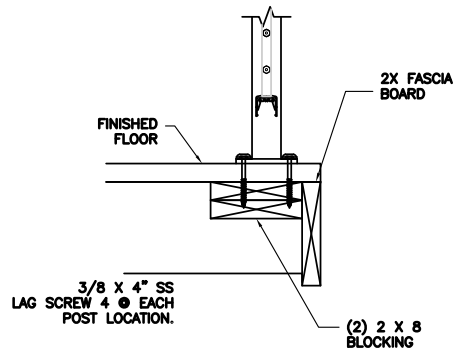
— FASCIA MOUNTING DETAIL
WOOD DECK



— FASCIA MOUNTING DETAIL
WOOD DECK



— FASCIA MOUNT
WOOD CONDITION



— SURFACE MOUNT
WOOD CONDITION

CABLE RAILING SYSTEM - WOOD MOUNT

THE INFORMATION CONTAINED IN THIS DRAWING IS THE SOLE PROPERTY OF HANSEN ARCHITECTURAL SYSTEMS, INC. ANY REPRODUCTION IN PART OR AS A WHOLE WITHOUT THE WRITTEN PERMISSION OF HANSEN ARCHITECTURAL SYSTEMS, INC. IS PROHIBITED.