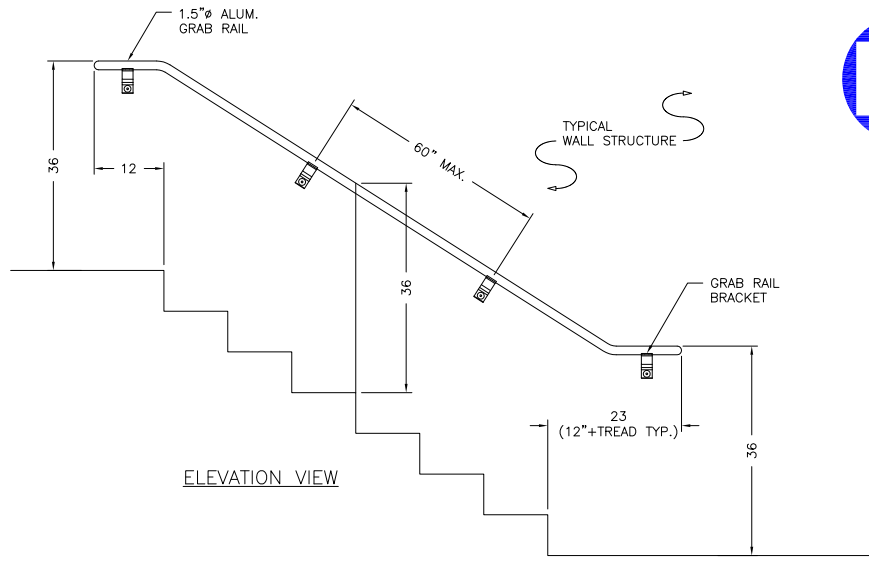
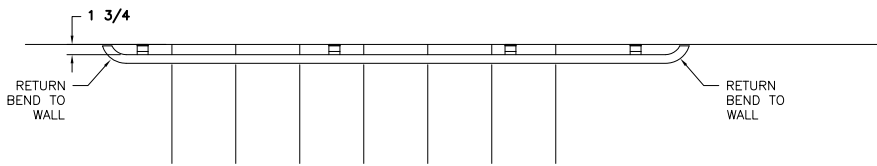




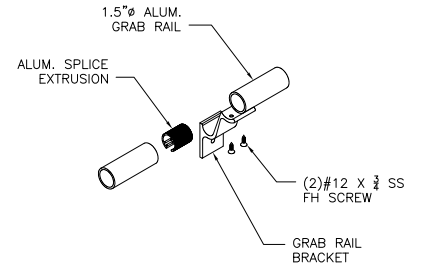
WORLD CLASS ARCHITECTURAL PRODUCTS
HANSEN
 ARCHITECTURAL
 SYSTEMS
 5500 SE ALEXANDER ST. HILLSBORO OR. 97123
 PH. 503-356-0959 FAX 503-356-8478



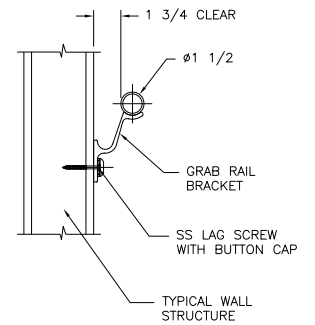
ELEVATION VIEW



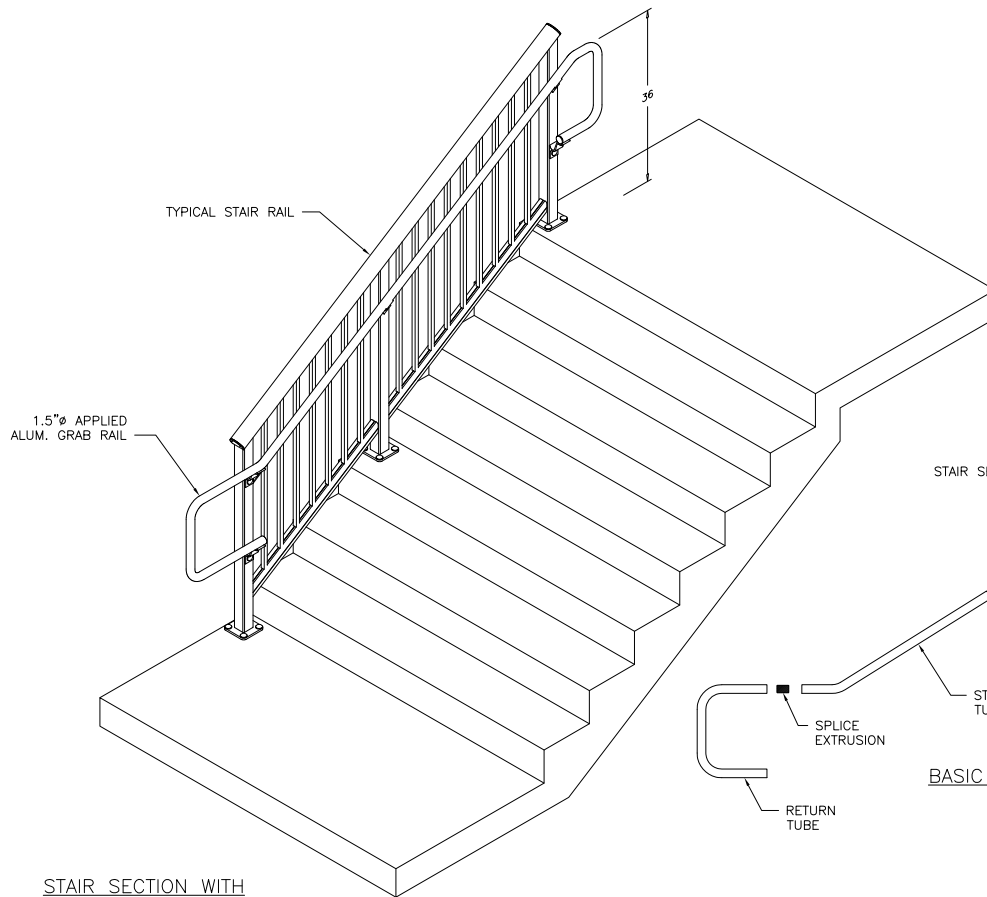
PLAN VIEW



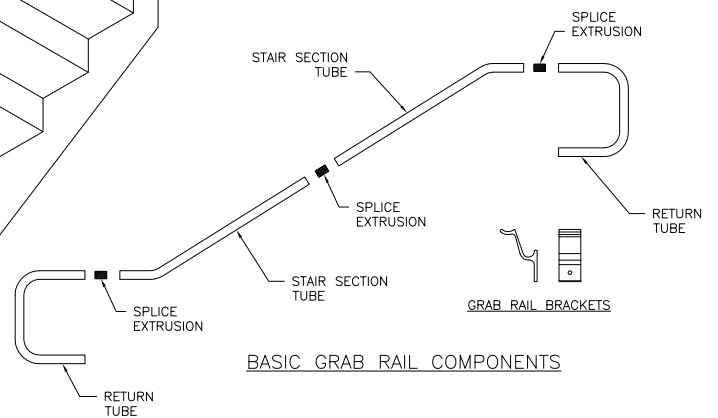
SPLICE DETAIL



TYPICAL SECTION VIEW



STAIR SECTION WITH APPLIED GRAB RAIL



BASIC GRAB RAIL COMPONENTS