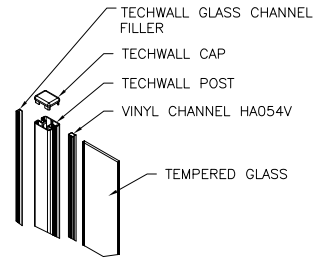
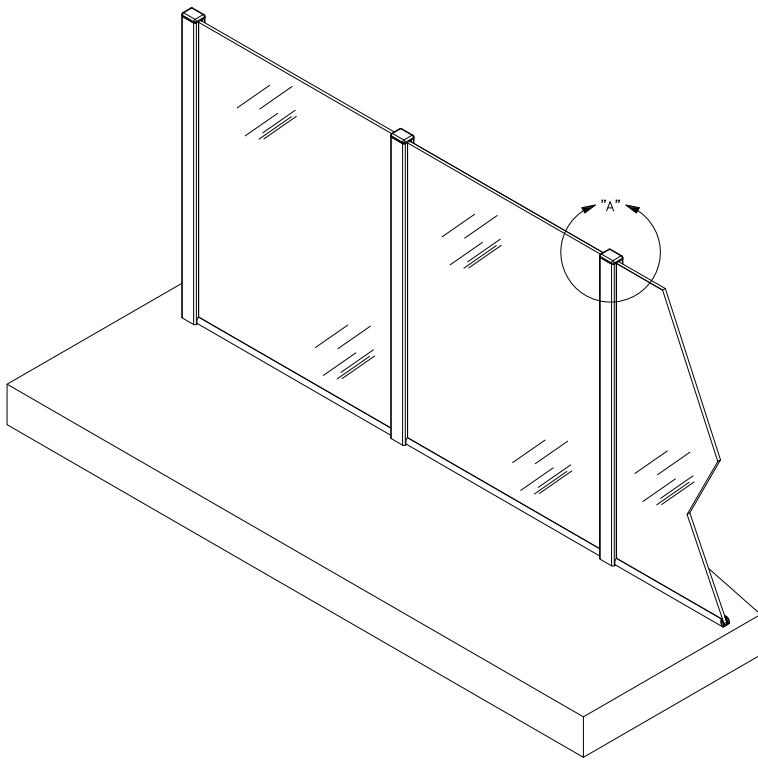




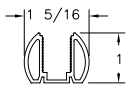
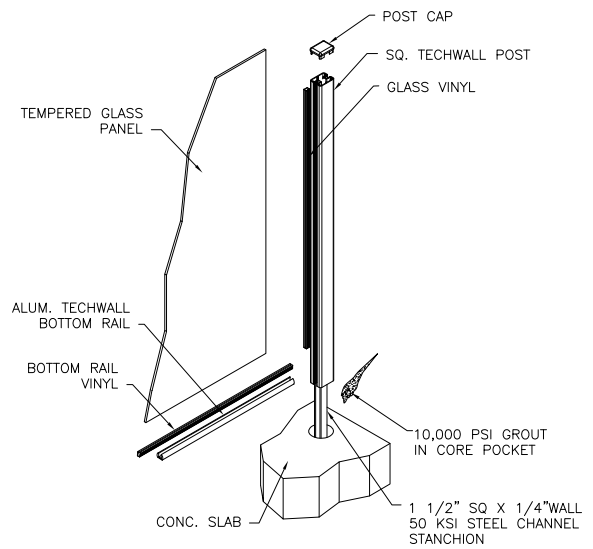
WORLD CLASS ARCHITECTURAL PRODUCTS

HANSEN
ARCHITECTURAL
SYSTEMS

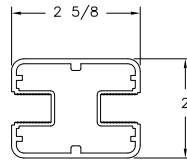
5500 SE ALEXANDER ST. HILLSBORO OR. 97123
PH. 503-356-0959 FAX 503-356-8478



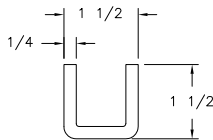
(A) CONNECTION DETAIL



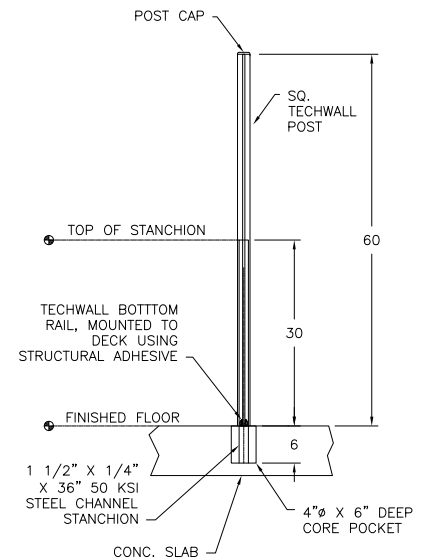
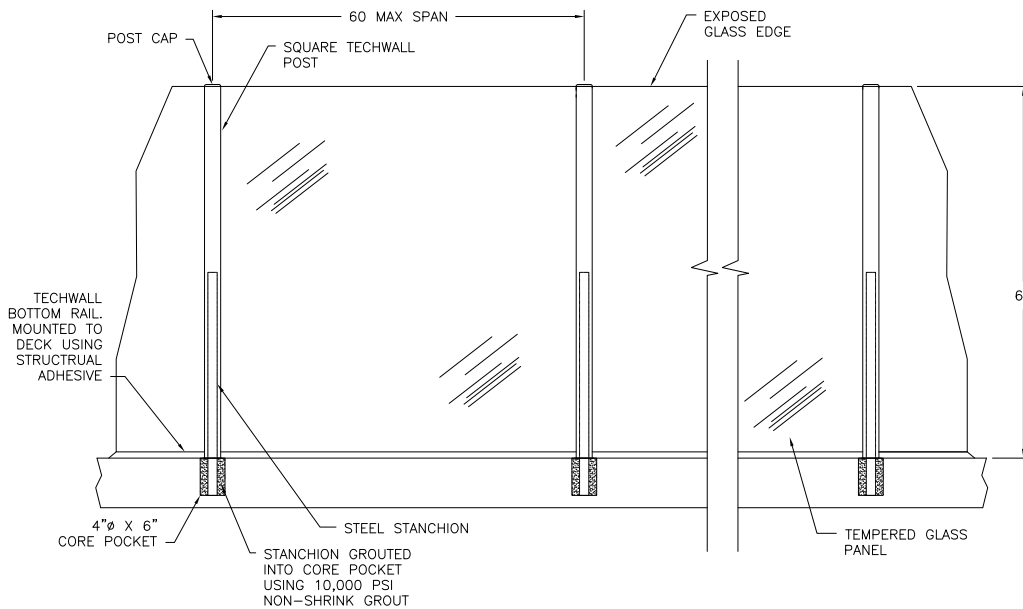
TECH WALL BOTTOM RAIL



TECH WALL POST



STEEL STANCHION



SQUARE TECHWALL[®] BARRIER SYSTEM
www.aluminumrailing.com