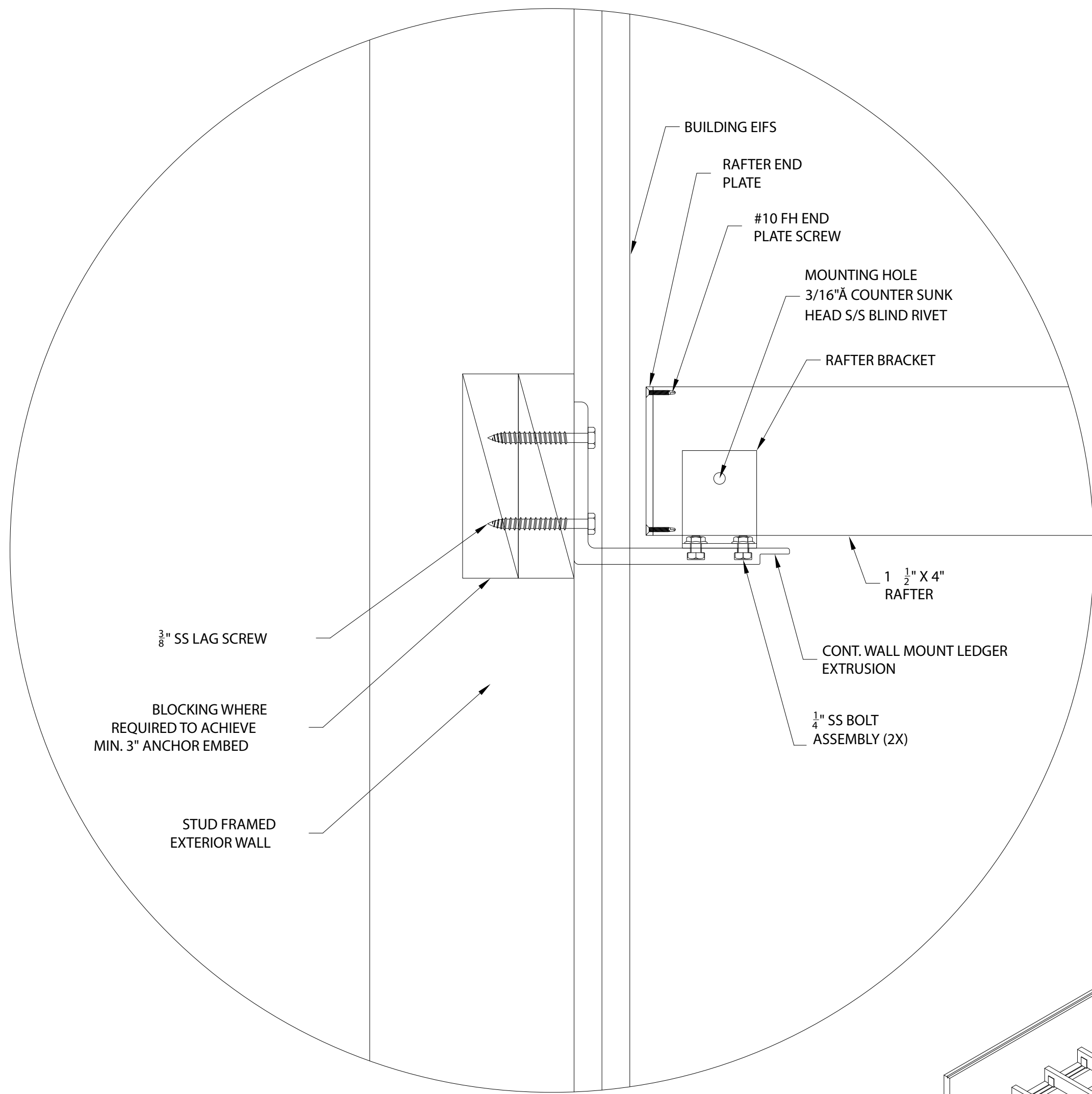




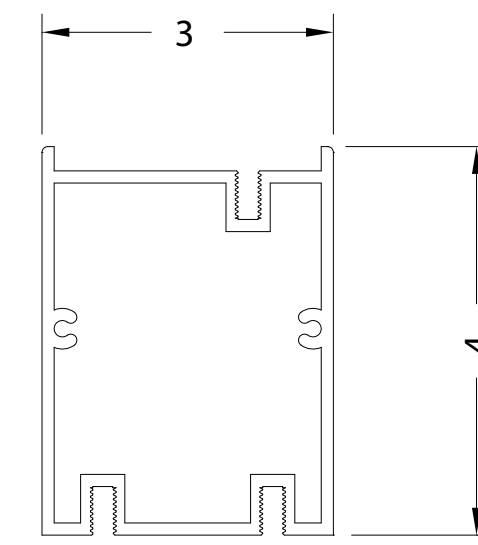
WORLD CLASS ARCHITECTURAL PRODUCTS

HANSEN
ARCHITECTURAL
SYSTEMS

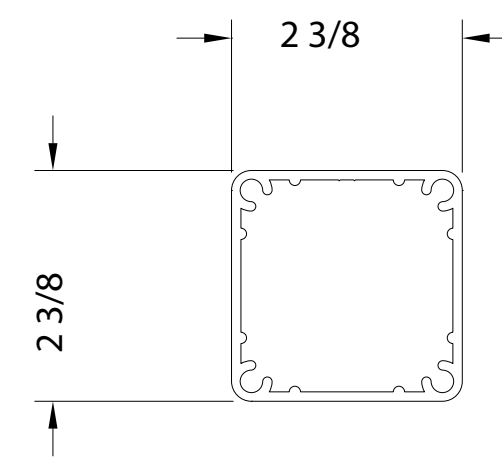
5500 SE ALEXANDER ST. HILLSBORO OR. 97123, USA.
PH. 503-356-0959 FAX 503-356-8478



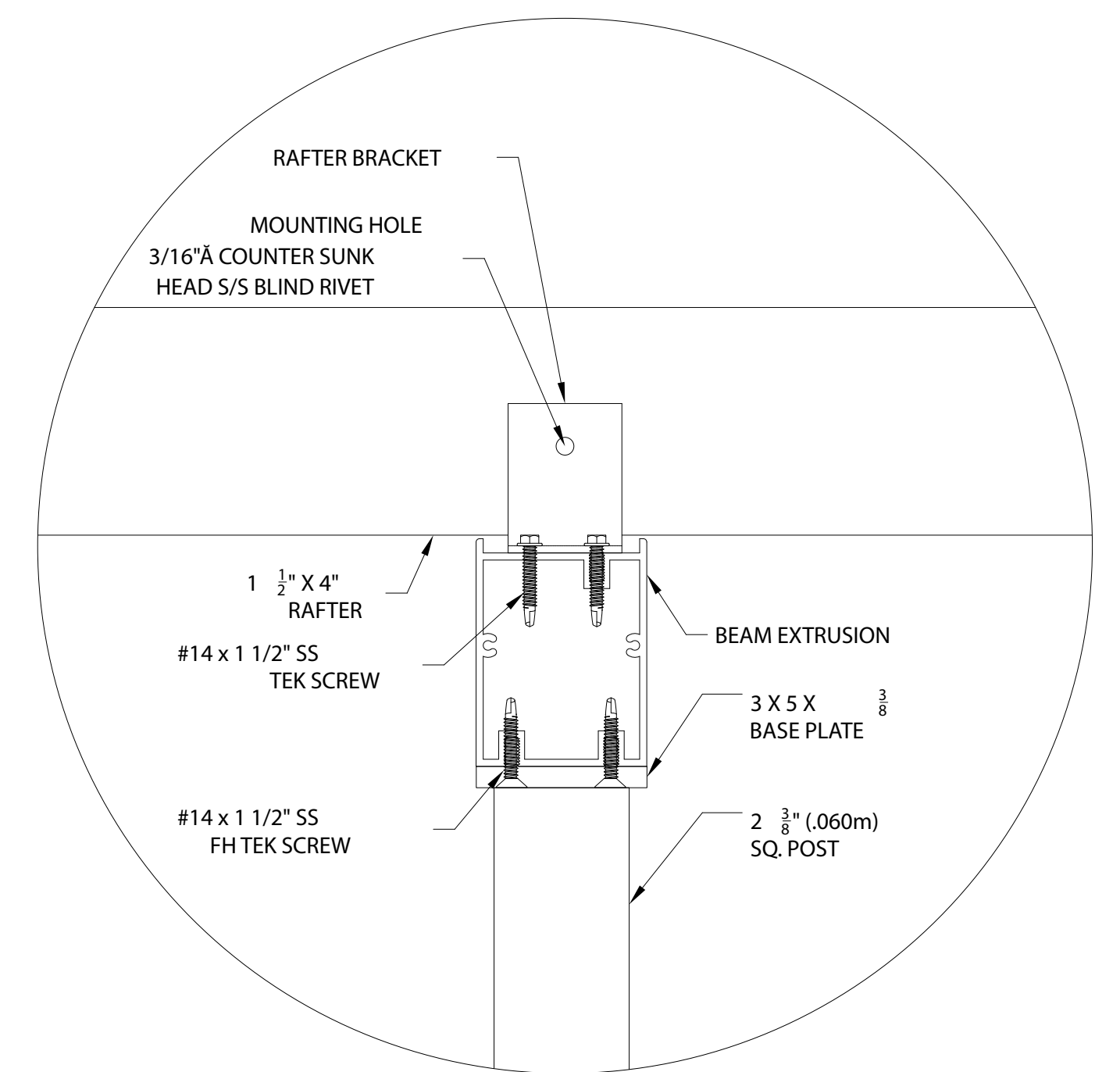
DETAIL "A"



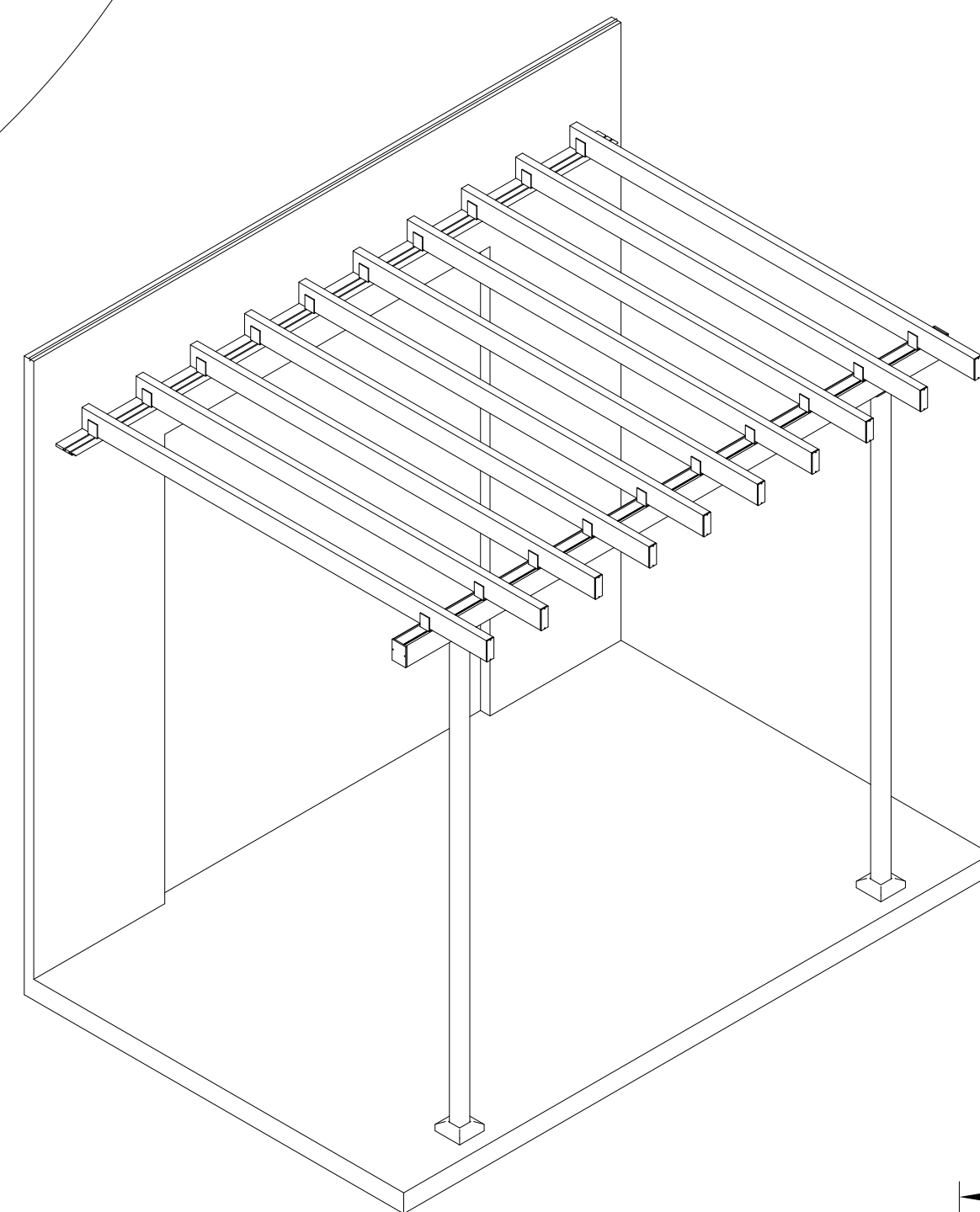
STD. BEAM



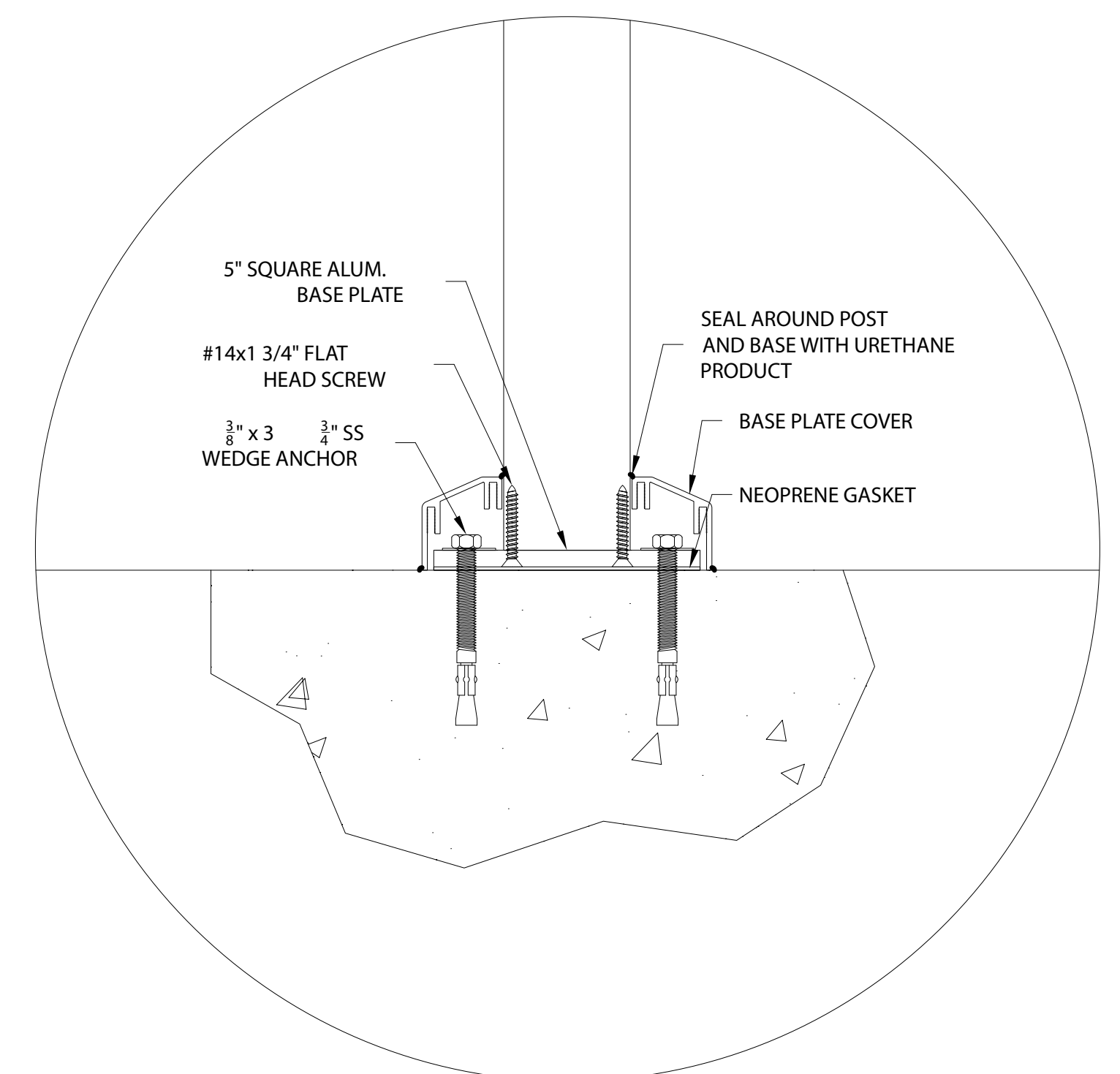
STD. POST



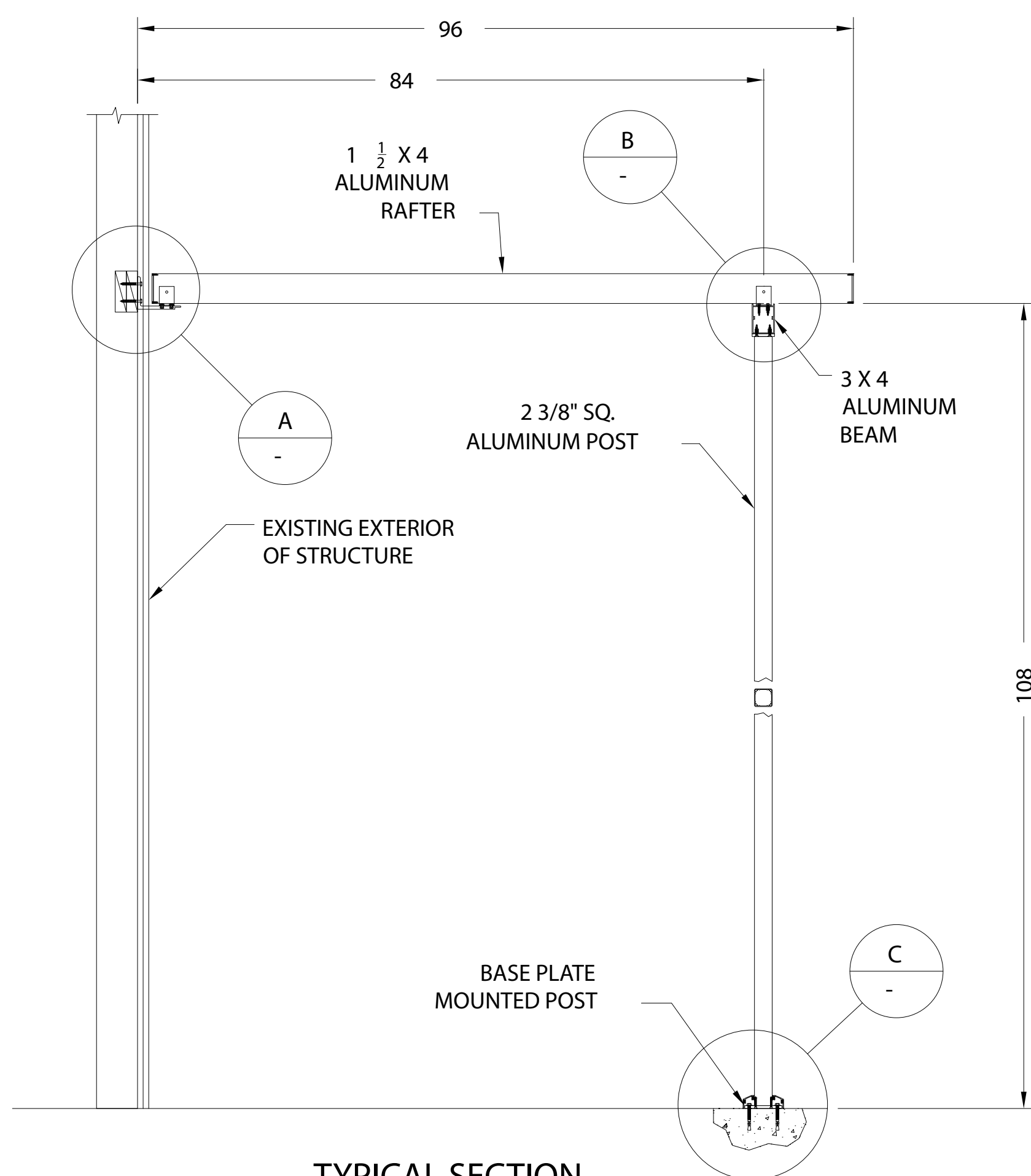
DETAIL "B"



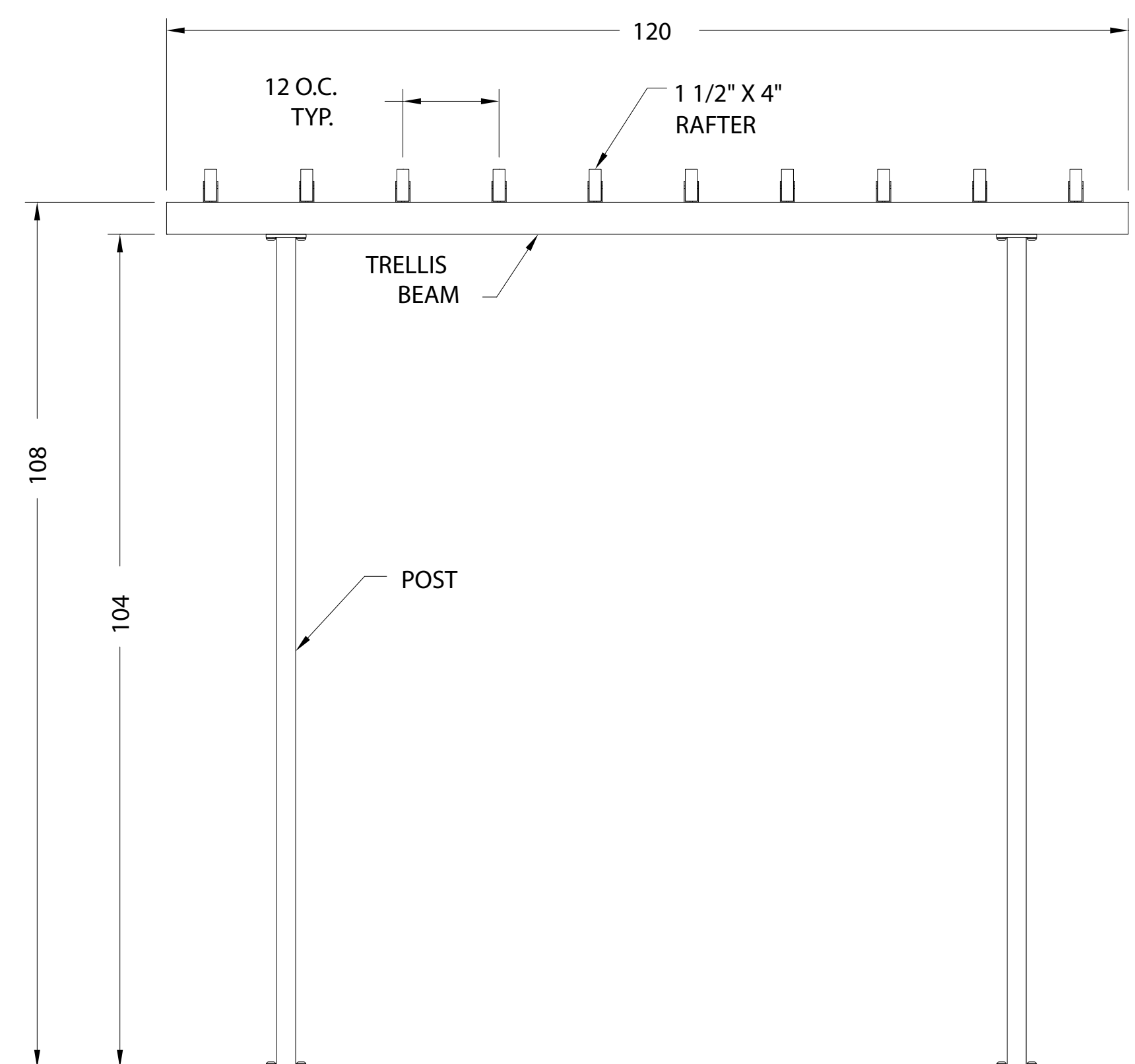
ISOMETRIC



DETAIL "C"



TYPICAL SECTION



TYPICAL ELEVATION

SOLARDYNE TM TRELLIS SYSTEM
www.aluminumrailing.com

THE INFORMATION CONTAINED IN THIS DRAWING IS THE SOLE PROPERTY OF HANSEN ARCHITECTURAL SYSTEMS, INC.
ANY REPRODUCTION IN PART OR AS A WHOLE WITHOUT THE WRITTEN PERMISSION OF HANSEN ARCHITECTURAL SYSTEMS, INC. IS PROHIBITED.