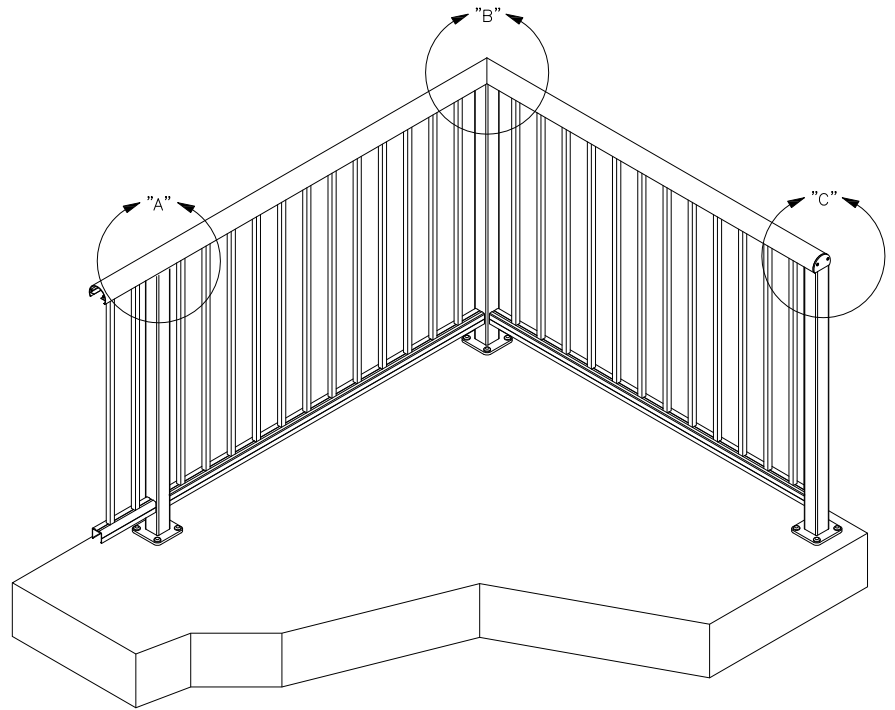




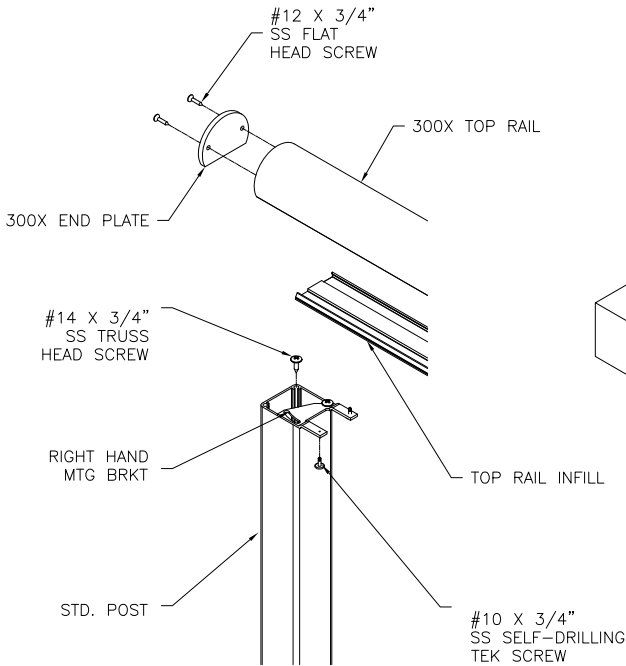
WORLD CLASS ARCHITECTURAL PRODUCTS

**HANSEN**  
ARCHITECTURAL  
SYSTEMS

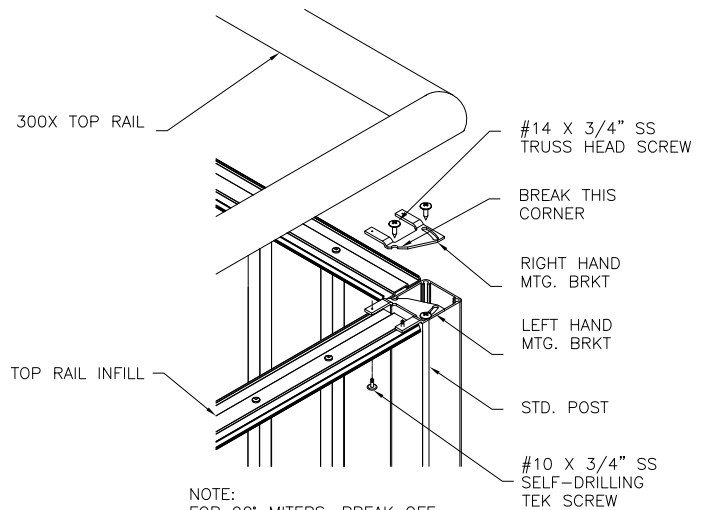
5500 SE ALEXANDER ST. HILLSBORO OR. 97123  
PH. 503-356-0959 FAX 503-356-8478



TYPICAL ISOMETRIC  
NTS

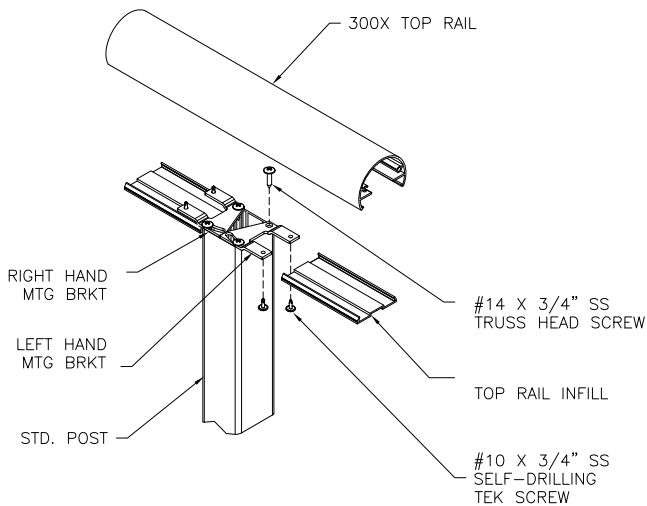


C END CONDITION DETAIL  
SCALE: 2.5



NOTE:  
FOR 90° MITERS, BREAK OFF  
CORNERS OF BRACKETS AND  
PLACE AS SHOWN

B TYP. CORNER CONN.  
SCALE: 2.5

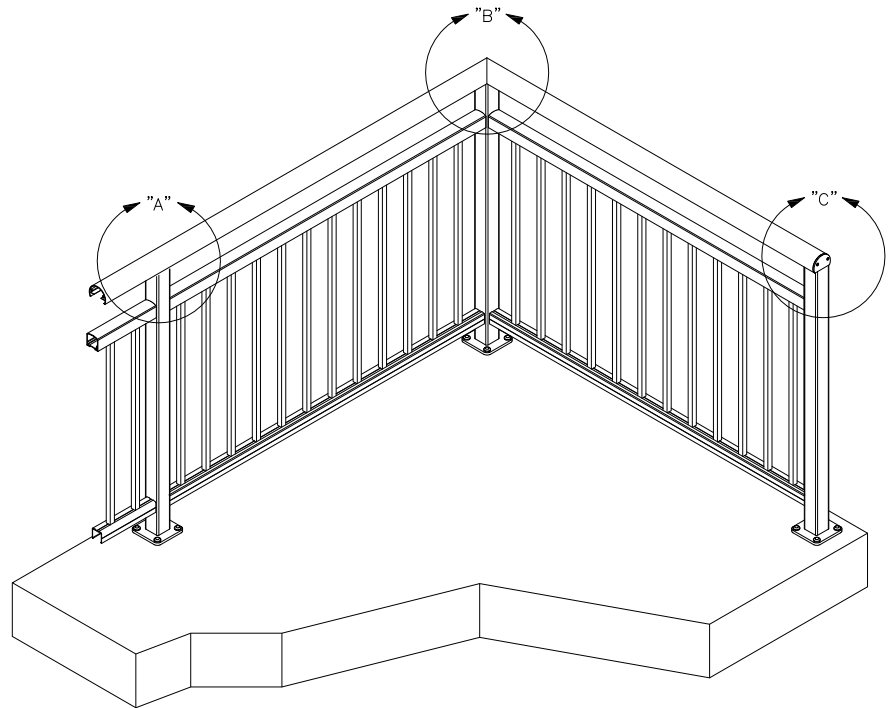


A TYP. TOP RAIL CONNECTION  
SCALE: 2.5

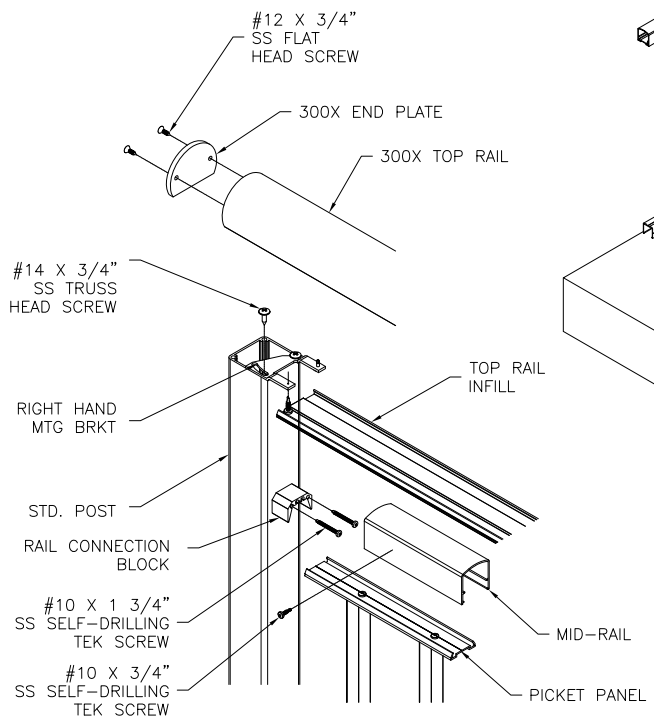


WORLD CLASS ARCHITECTURAL PRODUCTS  
**HANSEN**  
 ARCHITECTURAL  
 SYSTEMS

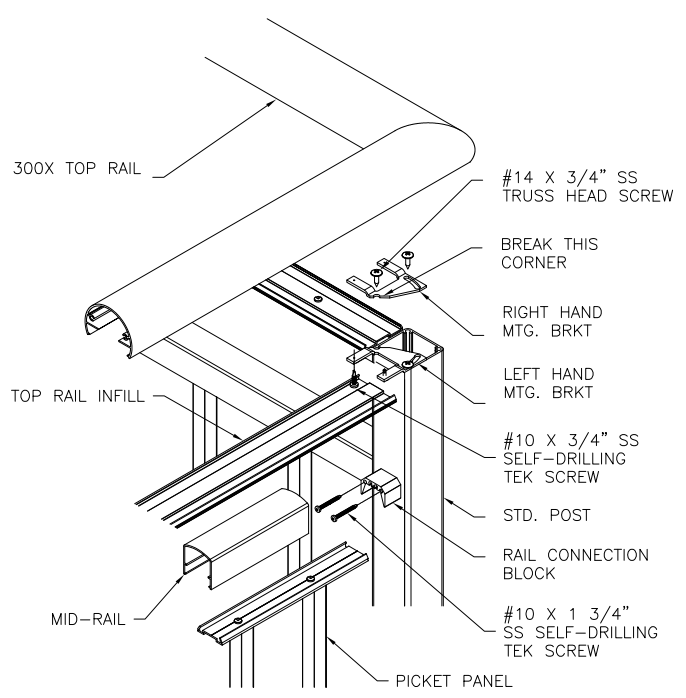
5500 SE ALEXANDER ST. HILLSBORO OR. 97123  
 PH. 503-356-0959 FAX 503-356-8478



— TYPICAL ISOMETRIC  
 NTS

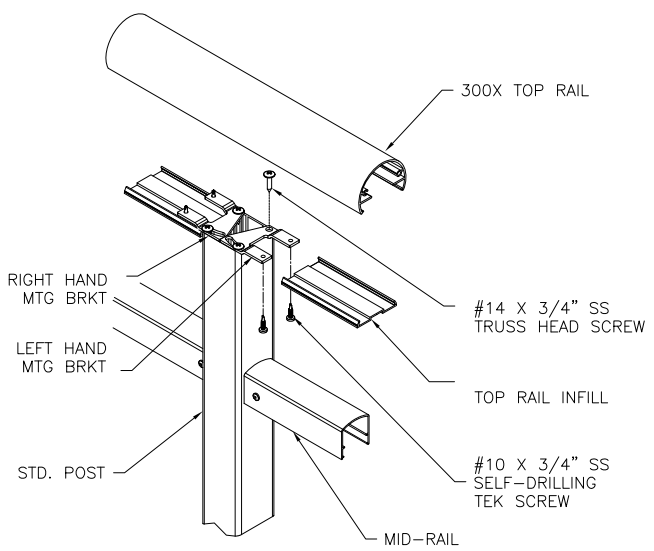


ⓐ END CONDITION DETAIL  
 SCALE: 2.5



NOTE:  
 FOR 90° MITERS, BREAK OFF  
 CORNERS OF BRACKETS AND  
 PLACE AS SHOWN

ⓑ TYP. CORNER CONN.  
 SCALE: 2.5



Ⓐ TYP. TOP RAIL CONNECTION  
 SCALE: 2.5