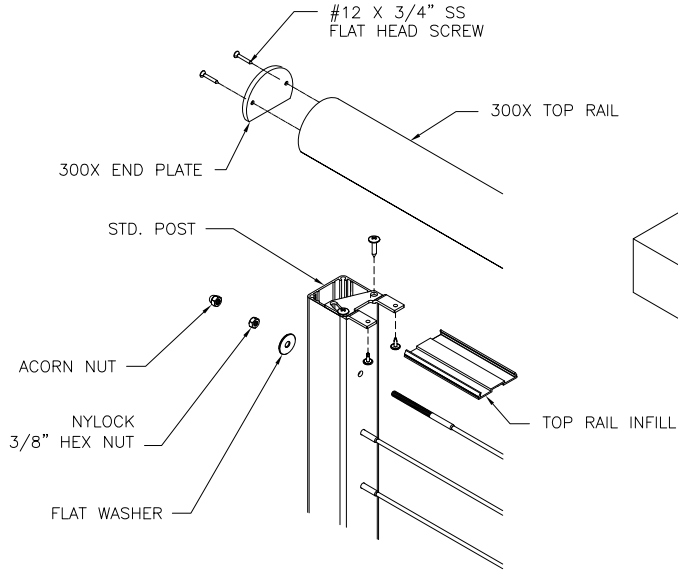




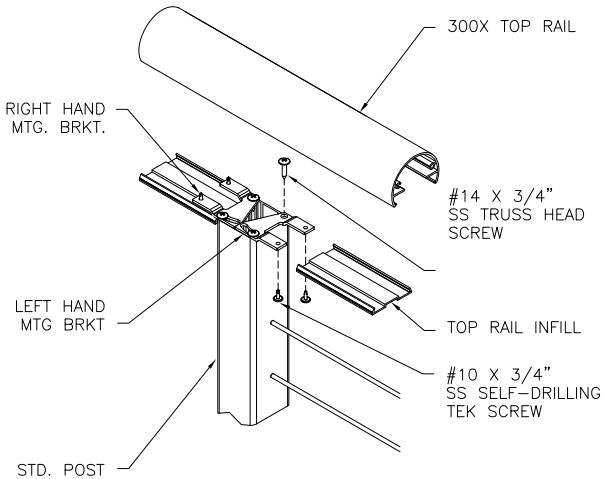
WORLD CLASS ARCHITECTURAL PRODUCTS

HANSEN
ARCHITECTURAL
SYSTEMS

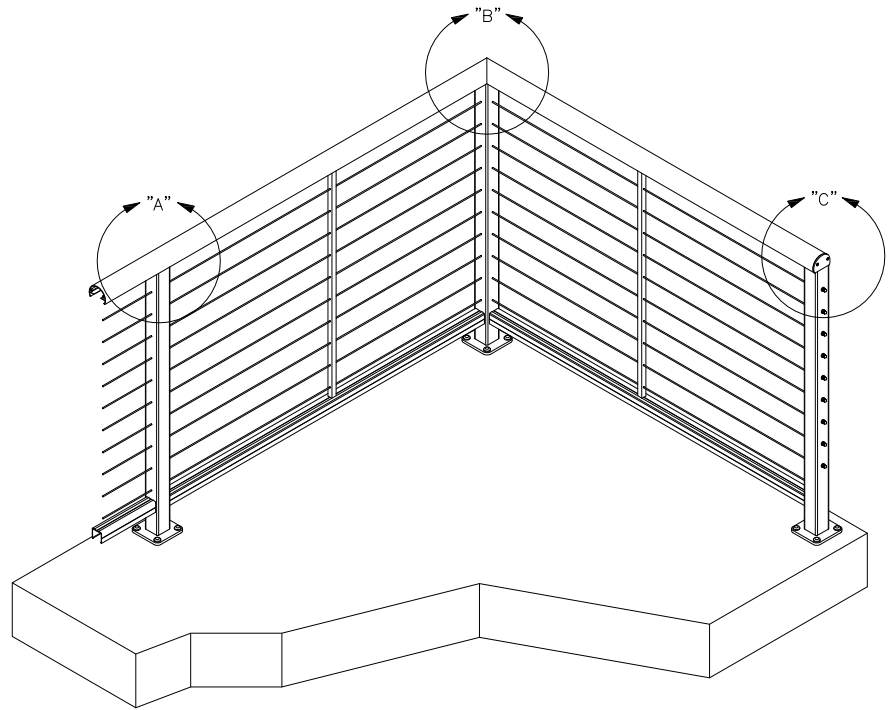
5500 SE ALEXANDER ST. HILLSBORO OR. 97123
PH. 503-356-0959 FAX 503-356-8478



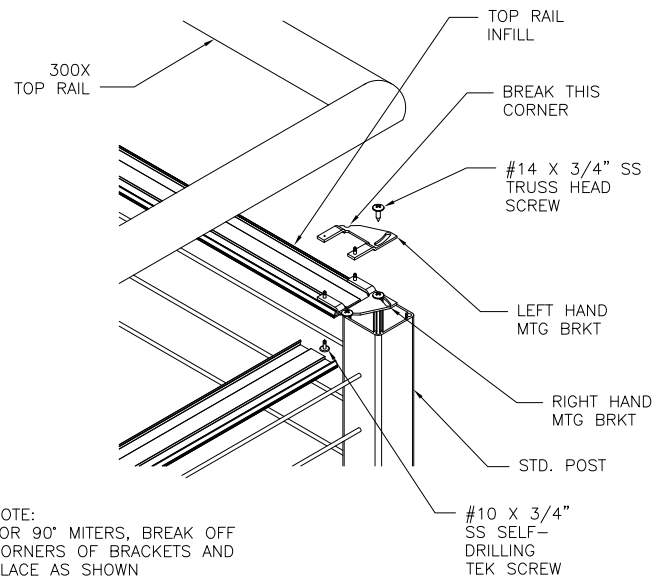
C END CONDITION DETAIL
SCALE: 2.5



A TYP. TOP RAIL CONNECTION
SCALE: 2.5



B TYPICAL ISOMETRIC
NTS



NOTE:
FOR 90° MITERS, BREAK OFF
CORNERS OF BRACKETS AND
PLACE AS SHOWN

B TYP. CORNER CONN.
SCALE: 2.5