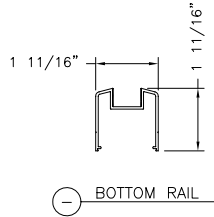
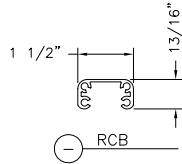
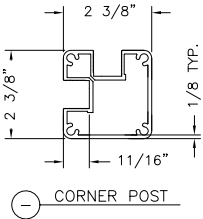
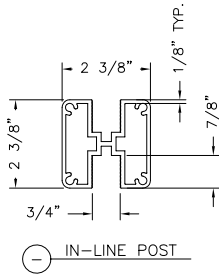


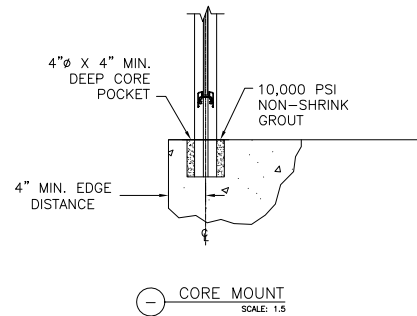
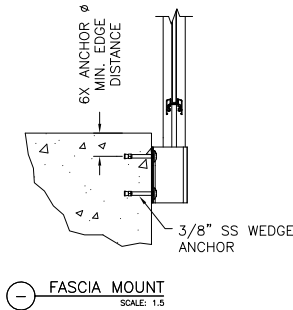
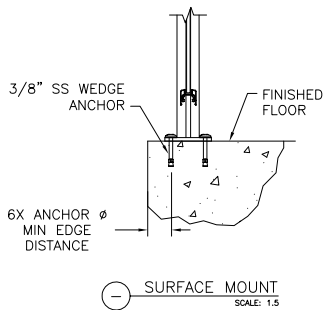
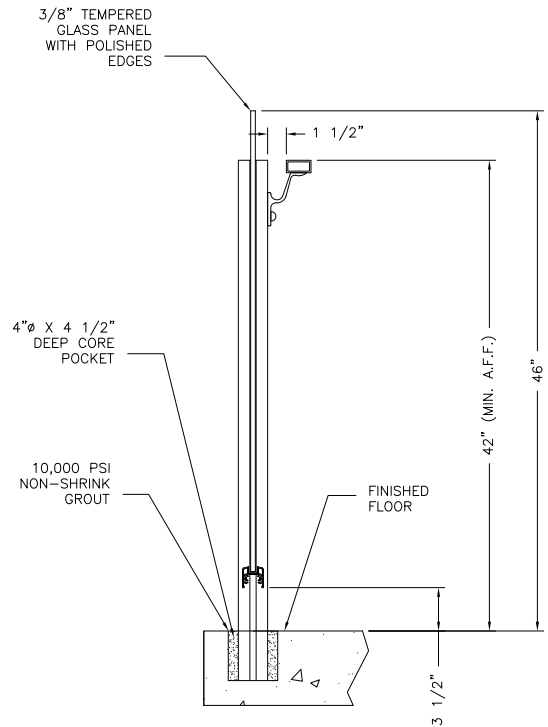
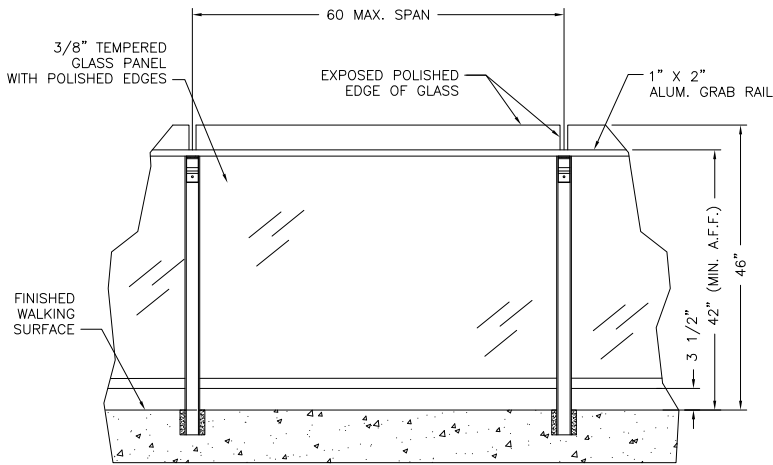


WORLD CLASS ARCHITECTURAL PRODUCTS
HANSEN
 ARCHITECTURAL
 SYSTEMS

5500 SE ALEXANDER ST. HILLSBORO OR. 97123
 PH. 503-356-0959 FAX 503-356-8478



NOTE:
 WHEN SURFACE MOUNTING WITH
 BASE PLATES, MAXIMUM POST SPAN IS 4' - 0"

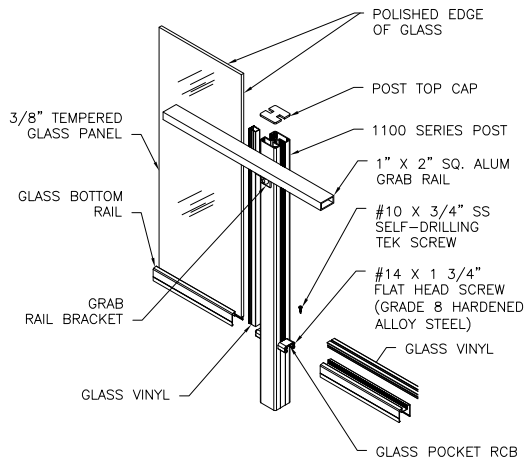


SERIES 1100 GLASS RAILING SYSTEM
www.aluminumrailing.com

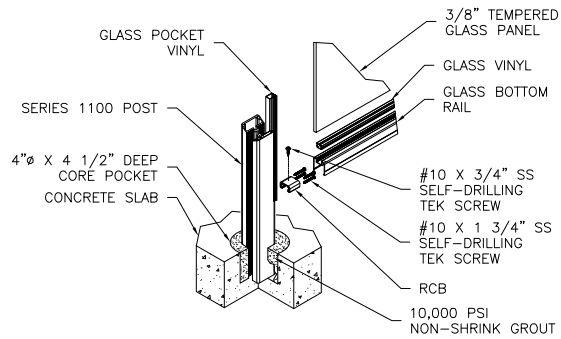
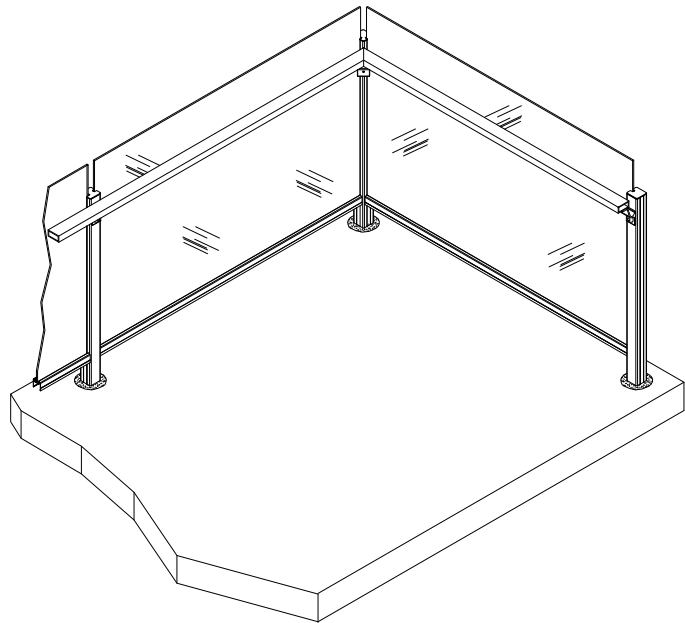


WORLD CLASS ARCHITECTURAL PRODUCTS
HANSEN
 ARCHITECTURAL
 SYSTEMS

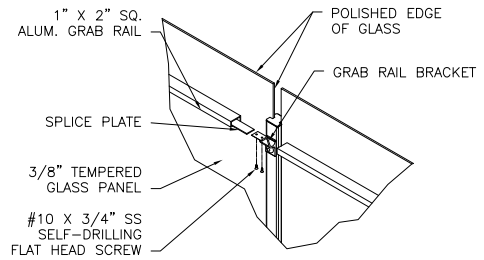
5500 SE ALEXANDER ST. HILLSBORO OR. 97123
 PH. 503-356-0959 FAX 503-356-8478



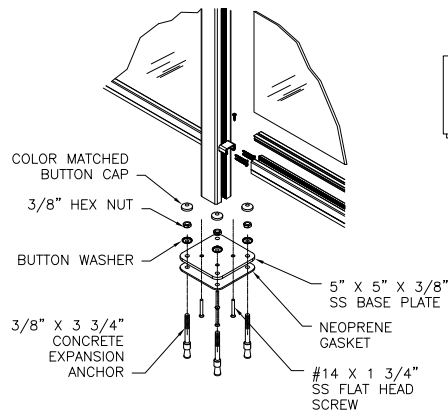
— CONNECTION DETAIL



— CORE POCKET DETAIL



— SPLICE DETAIL



— SURFACE MOUNT DETAIL

NOTE:
 WHEN SURFACE MOUNTING WITH
 BASE PLATES, MAXIMUM POST SPAN IS 4' - 0"