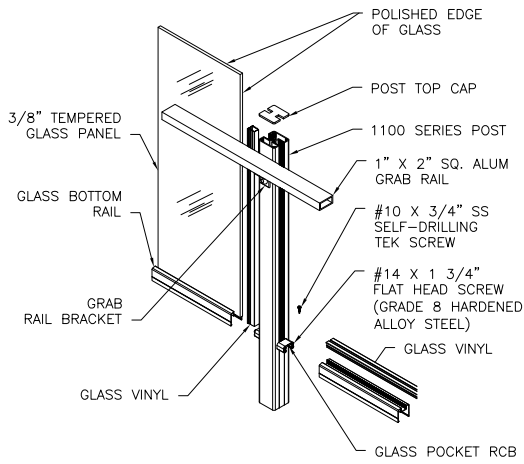




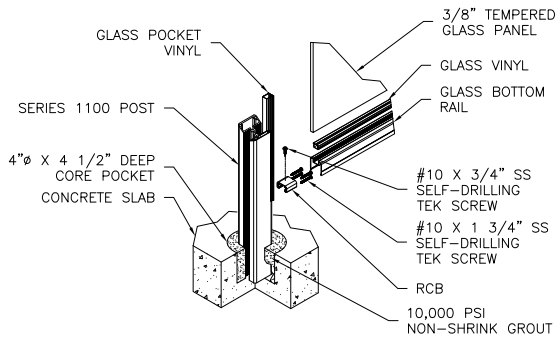
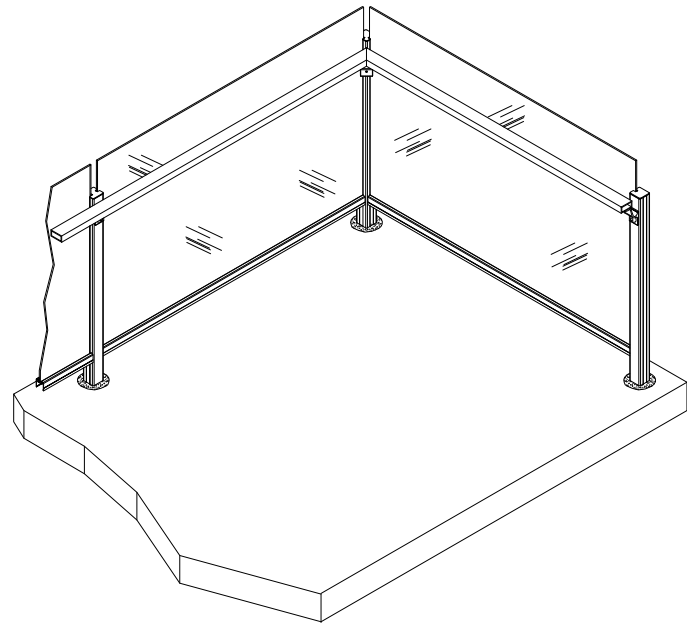
WORLD CLASS ARCHITECTURAL PRODUCTS

HANSEN
ARCHITECTURAL
SYSTEMS

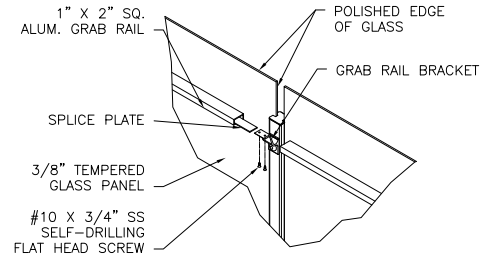
5500 SE ALEXANDER ST. HILLSBORO OR. 97123
PH. 503-356-0959 FAX 503-356-8478



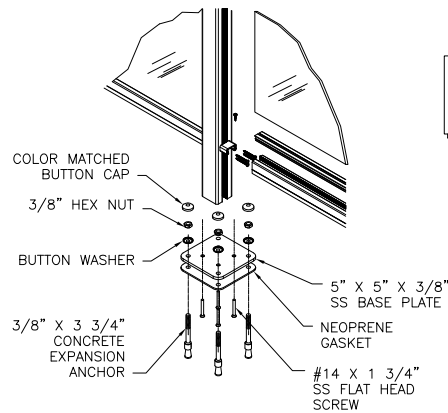
— CONNECTION DETAIL



— CORE POCKET DETAIL



— SPLICE DETAIL



— SURFACE MOUNT DETAIL

NOTE:
WHEN SURFACE MOUNTING WITH
BASE PLATES, MAXIMUM POST SPAN IS 4' - 0"